

Rack Installation Guide

Guide d'installation du rack

Rack-Installationsanleitung

ラック取り付けガイド

Guía de instalación del rack

Rack Installation Guide

Notes, Notices, and Cautions



NOTE: A NOTE indicates important information that helps you make better use of your computer.



NOTICE: A NOTICE indicates either potential damage to hardware or loss of data and tells you how to avoid the problem.



CAUTION: A CAUTION indicates a potential for property damage, personal injury, or death.

Information in this document is subject to change without notice.

© 2005 Dell Inc. All rights reserved.

Reproduction in any manner whatsoever without the written permission of Dell Inc. is strictly forbidden.

Trademarks used in this text: *RapidRails* and *VersaRails* are trademarks of Dell Inc.

Other trademarks and trade names may be used in this document to refer to either the entities claiming the marks and names or their products. Dell Inc. disclaims any proprietary interest in trademarks and trade names other than its own.

Contents

Safety Instructions	5
SAFETY: Rack Mounting of Systems	5
Installation Instructions	6
Before You Begin	6
Installation Tasks	7
Recommended Tools and Supplies	7
RapidRails Rack Kit Contents	7
VersaRails Rack Kit Contents	8
Removing the Rack Doors	9
Marking the Rack	9
Installing the RapidRails Assemblies	10
Installing the VersaRails Assemblies	11
Installing the System in the Rack	12
Routing Cables	13
Replacing the Rack Doors	14
Index	15

Figures

Figure 1-1.	RapidRails Rack Kit Contents	8
Figure 1-2.	VersaRails Rack Kit Contents	8
Figure 1-3.	One Rack Unit	9
Figure 1-4.	Marking the Vertical Rails	10
Figure 1-5.	Installing the RapidRails Assemblies	11
Figure 1-6.	Installing the VersaRails Rail Assemblies	12
Figure 1-7.	Installing the System in the Rack	13
Figure 1-8.	Securing the Cables to the Rack	14


Safety Instructions


Use the following safety guidelines to help ensure your own personal safety and to help protect your system and working environment from potential damage. For complete safety information, see the *Product Information Guide*.


SAFETY: Rack Mounting of Systems

Observe the following precautions for rack stability and safety.

Systems are considered to be components in a rack. Thus, "component" refers to any system as well as to various peripherals or supporting hardware.

 **CAUTION:** Before installing systems in a rack, install front and side stabilizers on stand-alone racks or the front stabilizer on racks joined to other racks. Failure to install stabilizers accordingly before installing systems in a rack could cause the rack to tip over, potentially resulting in bodily injury under certain circumstances. Therefore, always install the stabilizer(s) before installing components in the rack.


 **CAUTION:** After installing system/components in a rack, never pull more than one component out of the rack on its slide assemblies at one time. The weight of more than one extended component could cause the rack to tip over and injure someone.

 **NOTE:** Your system is safety-certified as a free-standing unit and as a component for use in a rack cabinet using the customer rack kit when both the rack cabinet and rack kit were designed for your system. The installation of your system and rack kit in any other rack cabinet has not been approved by any safety agencies. It is your responsibility to have the final combination of system and rack kit in a cabinet evaluated for suitability by a certified safety agency. The manufacturer disclaims all warranties and liability in connection with such combinations.


- System rack kits are intended to be installed in an approved rack by trained service technicians. If you install the kit in any other rack, be sure that the rack meets the specifications.
- Before working on the rack, make sure that the stabilizers are secured to the rack, extended to the floor, and that the full weight of the rack rests on the floor. Install front and side stabilizers on a single rack or front stabilizers for joined multiple racks before working on the rack.
- Always load the rack from the bottom up, and load the heaviest item in the rack first.
- Make sure that the rack is level and stable before extending a component from the rack.
- Do not overload the AC power supply branch circuit that provides power to the rack. The total rack load should not exceed 80 percent of the branch circuit rating.
- Ensure that proper airflow is provided to components in the rack.
- Do not step on or stand on any system/component when servicing other systems/components in a rack.

Installation Instructions

This installation guide provides instructions for trained service technicians installing one or more systems in an open-frame relay rack or in a rack cabinet. The RapidRails™ rack kit can be installed without tools in manufacturer's rack cabinets that have square holes; the VersaRails™ rack kit can be installed in most industry-standard rack cabinets that have square or round holes. The procedures for installing both RapidRails and VersaRails rack kits are similar. One rack kit is required for each system installed in the rack.


 **CAUTION: Do not install rack kit components designed for another system. Use only the rack kit for your system. Using the rack kit for another system may result in damage to the system and personal injury.**


The VersaRails rack kit can be installed in most industry-standard rack cabinets.

 **NOTICE:** The VersaRails rack kit is intended to be installed by trained service technicians in a rack that meets the specifications of American National Standards Institute (ANSI)/Electronic Industries Association (EIA) standard ANSI/EIA-310-D-92, International Electrotechnical Commission (IEC) 297, and Deutsche Industrie Norm (DIN) 41494. One rack kit is required for each system that is installed in a rack.

Before You Begin


Before you begin installing your system in the rack, carefully read "Safety Instructions," found earlier in this guide, as well as the safety instructions found in your *Product Information Guide* for additional information.

 **CAUTION: When installing multiple systems in a rack, complete all of the procedures for the current system before attempting to install the next system.**


 **CAUTION: Rack cabinets can be extremely heavy and move easily on the casters. The cabinet has no brakes. Use extreme caution while moving the rack cabinet. Retract the leveling feet when relocating the rack cabinet. Avoid long or steep inclines or ramps where loss of cabinet control may occur. Extend the leveling feet for support and to prevent the cabinet from rolling.**

Important Safety Information

Observe the safety precautions in the following subsections when installing your system in the rack.

 **CAUTION: You must strictly follow the procedures in this document to protect yourself as well as others who may be involved. Your system may be very large and heavy, and proper preparation and planning are important to prevent injury to yourself and to others. This becomes increasingly important when systems are installed high up in the rack.**

Rack Stabilizer Feet

 **CAUTION: Before installing systems in a rack, install front and side stabilizers on stand-alone racks or the front stabilizer on racks joined to other racks. Failure to install stabilizers accordingly before installing systems in a rack could cause the rack to tip over, potentially resulting in bodily injury under certain circumstances. Therefore, always install the stabilizer(s) before installing components in the rack.**



CAUTION: After installing systems in a rack, never pull more than one system out of the rack on its slide assemblies at one time. The weight of more than one extended system could cause the rack to tip over and cause injury.

The stabilizer feet help prevent the rack from tipping over when a system or other component is pulled out of the rack with the slide assemblies fully extended. See the documentation provided with the rack cabinet for instructions on installing and anchoring the stabilizer feet.

Installation Tasks

Installing a rack kit involves performing the following tasks in their numbered order:

- 1 Removing the rack doors
- 2 Marking the rack (if necessary)
- 3 Installing the rail assemblies in the rack:
 - RapidRails installation
 - VersaRails installation
- 4 Installing the system in the rack
- 5 Routing cables
- 6 Replacing the rack doors

Recommended Tools and Supplies

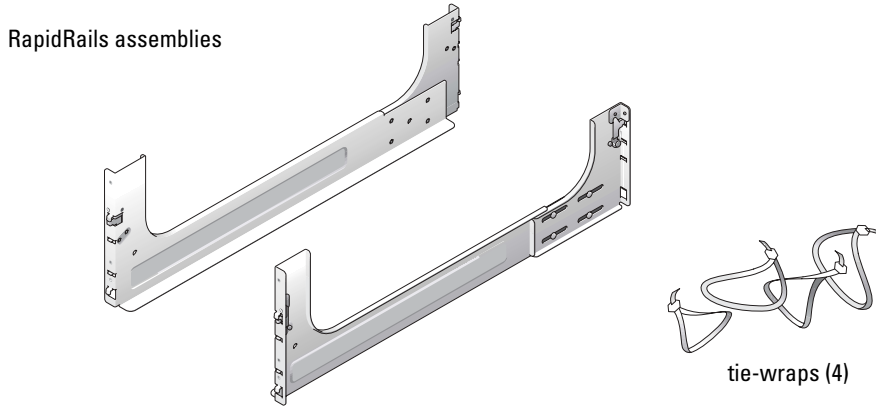
- A #2 Phillips screwdriver
- Masking tape or a felt-tip pen, for use in marking the mounting holes to be used
- A measuring ruler or tape measure

RapidRails Rack Kit Contents

The RapidRails rack kit includes the following items (see Figure 1-1):

- One pair of RapidRails assemblies
- Four reusable tie wraps

Figure 1-1. RapidRails Rack Kit Contents



VersaRails Rack Kit Contents

The VersaRails rack kit includes the following items (see Figure 1-2):

- One pair of VersaRails assemblies
- Four reusable tie wraps
- Twelve 10-32 x 0.5-inch flange-head Phillips screws


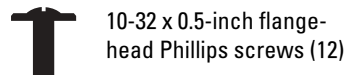
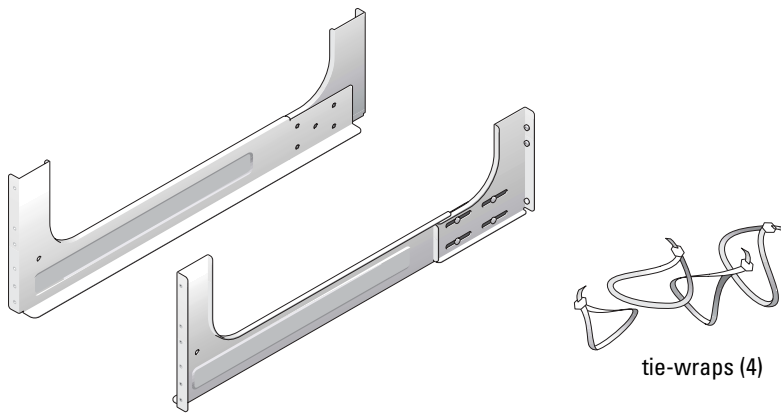
 **NOTE:** Nonmetric screws are identified in this document by size and number of threads per inch. For example, a #10 Phillips-head screw with 32 threads per inch is identified as a 10-32 screw.

Figure 1-2. VersaRails Rack Kit Contents



Removing the Rack Doors

See the procedures for removing doors in the documentation provided with your rack cabinet.

⚠ CAUTION: Because of the size and weight of the rack cabinet doors, never attempt to remove or install them by yourself.

⚠ CAUTION: Store the two doors where they will not injure someone if the doors accidentally fall over.

Marking the Rack

You must allow 7 U (31.1 cm or 12.25 inches) of vertical space for each system you install in the rack (see Figure 1-3).

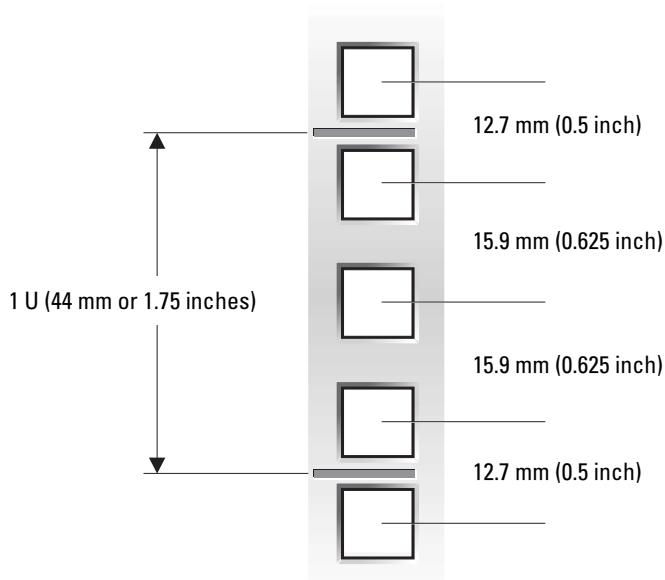
📌 NOTE: Your rack may already be marked and not require this procedure.

⚠ CAUTION: If you are installing more than one system, install the rail assemblies so that the first system is installed in the lowest available position in the rack.

- 1 Place a mark on the rack's front vertical rails where you want to locate the bottom of the system you are installing in the rack cabinet.

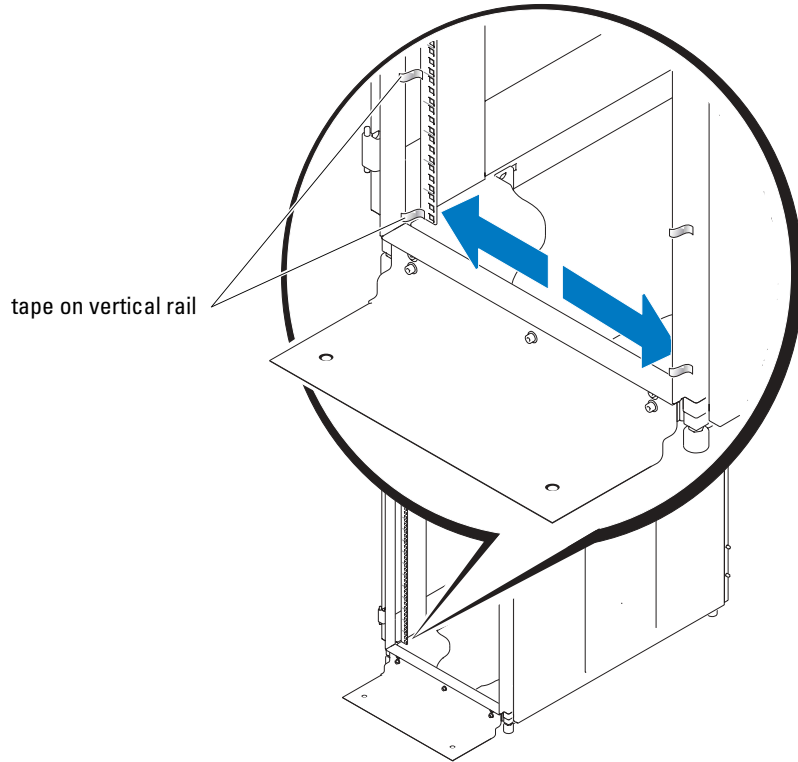
The bottom of each 1-U space is at the middle of the narrowest metal area between holes (marked with a horizontal line on some rack cabinets—see Figure 1-3).

Figure 1-3. One Rack Unit



- 2 Mark the rack's front vertical rails with a felt-tipped pen or masking tape approximately 31.1 cm (12.25 inches) above the original mark you made (or count up 21 holes in a rack that meets EIA-310 standards). (If you counted holes, place a mark just above the top hole.) This mark or piece of tape indicates where the system's upper edge will be located on the vertical rails (see Figure 1-4).

Figure 1-4. Marking the Vertical Rails



Installing the RapidRails Assemblies

- 1 At the front of the rack cabinet, position one of the RapidRails assemblies so that its mounting-bracket flange fits in the appropriate location on the rack (see Figure 1-5). The lower mounting hook on the rail assembly's front-mounting bracket flange should enter the third hole from the bottom mark on the vertical rails.
- 2 Push the rail assembly forward until the top mounting hook enters the square hole just below the upper marks or tape you placed on the vertical rail. Next, push down on the mounting-bracket flange until the mounting hooks seat in the square holes and the push button pops out and clicks (see Figure 1-5).

- 3 At the back of the cabinet, pull back on the mounting-bracket flange until the mounting hooks are in the appropriate holes, and then push down on the flange until the mounting hooks seat in the square holes and the push button pops out and clicks.
- 4 Repeat steps 1 through 3 for the rail assembly on the other side of the rack.


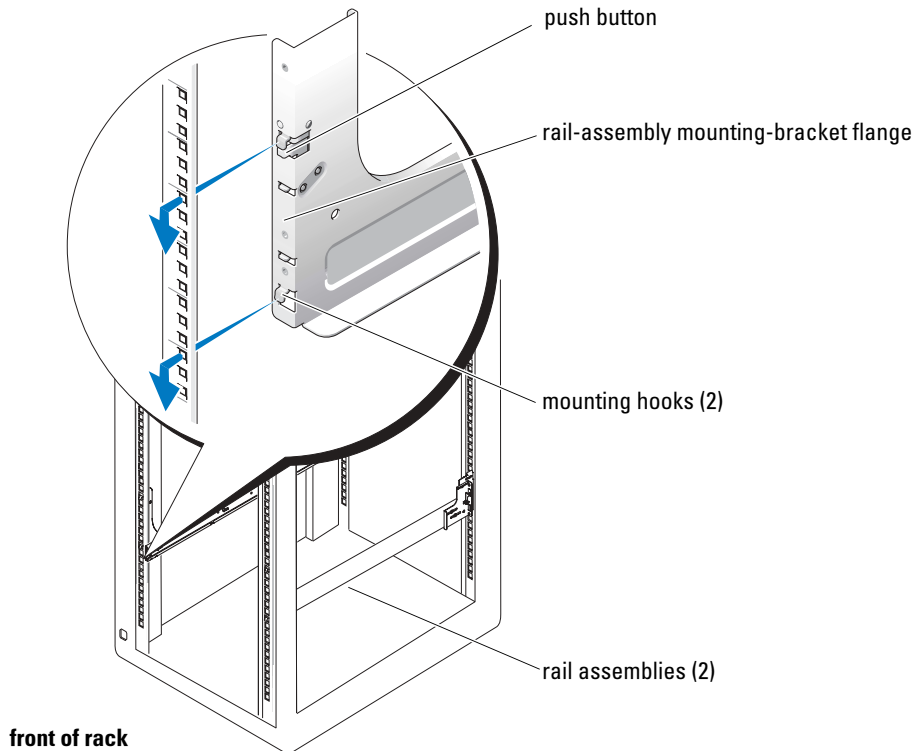
 **NOTE:** Ensure that the rails are mounted at the same vertical position on both sides of the rack.

Figure 1-5. Installing the RapidRails Assemblies



Installing the VersaRails Assemblies

- 1 At the front of the rack cabinet, place a VersaRails assembly so that its mounting-bracket flange fits between the marks or tape (or numbered location) on the rack (see Figure 1-6). The holes on the front of the mounting bracket should align with the holes between the marks on the front vertical rail.
- 2 Install three 10-32 x 0.5-inch flange-head Phillips screws to secure the rail assembly to the front vertical rail (see Figure 1-6).


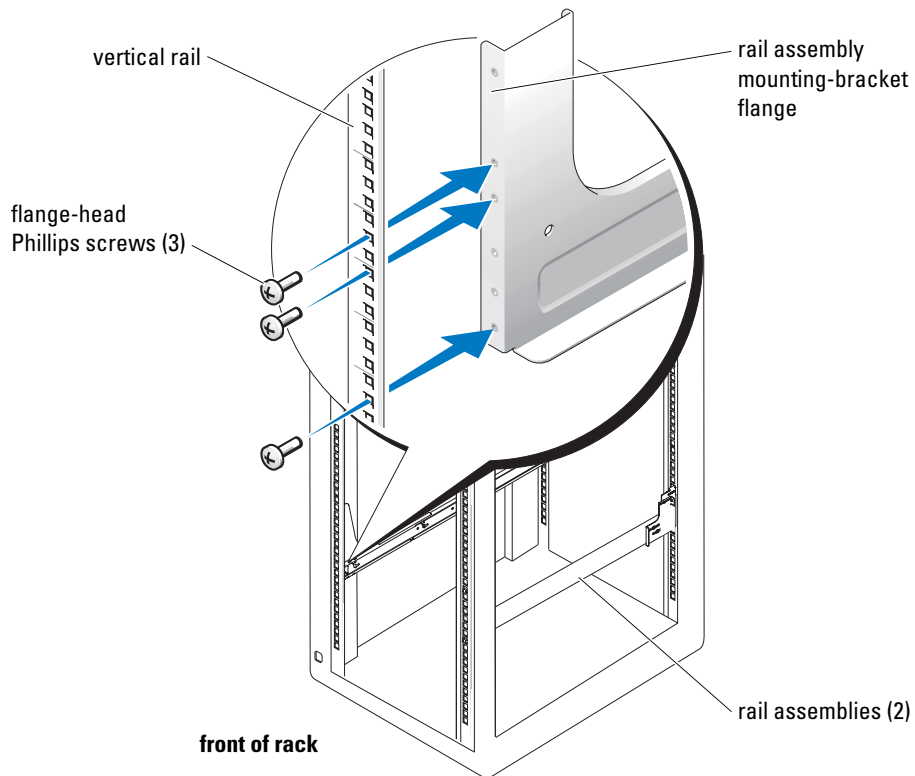



- 3 At the back of the cabinet, pull back on the mounting-bracket flange until the mounting holes align with their respective holes on the back vertical rail.
 - 4 Install three 10-32 x 0.5-inch flange-head Phillips screws in the back mounting flange to secure the rail assembly to the back vertical rail.
 - 5 Repeat steps 1 through 4 for the rail assembly on the other side of the rack.
-  **NOTE:** Ensure that the rails are mounted at the same vertical position on both sides of the rack.

Figure 1-6. Installing the VersaRails Rail Assemblies



Installing the System in the Rack

-  **CAUTION:** If you are installing more than one system, install the first system in the lowest available position in the rack.
-  **CAUTION:** Never pull more than one component out of the rack at a time.
-  **CAUTION:** Because of the size and weight of the system, never attempt to install the system in the rack by yourself.



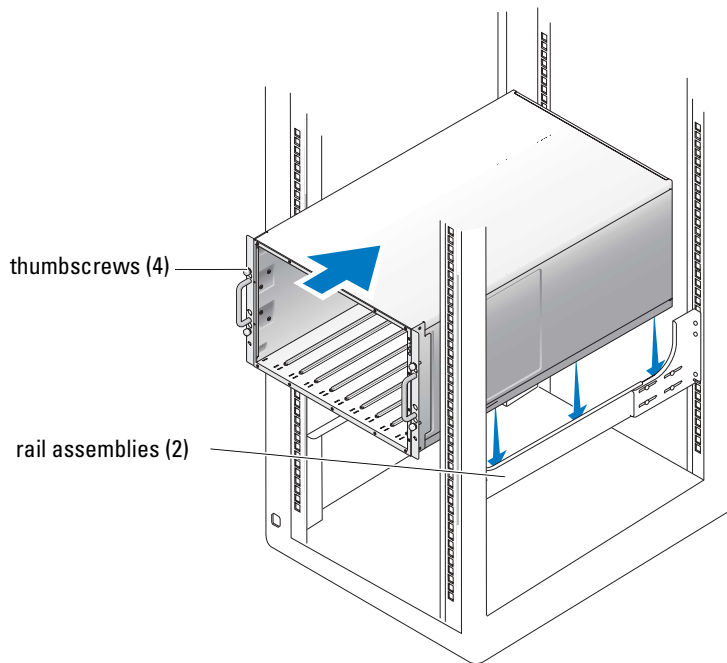
CAUTION: It is recommended that more than one person assist in lifting the system.



NOTICE: It is recommended that you use a lift table to aid in installing the system in the rack, particularly if the rail assemblies are more than waist-high.

- 1 Lift the system into position to install it in the rack.
It is recommended that more than one person assist in lifting the system.
- 2 Guide the system into the rack and lower the system onto the rail assemblies (see Figure 1-7).
- 3 Tighten the thumbscrews on the rack front panel.

Figure 1-7. Installing the System in the Rack



Routing Cables

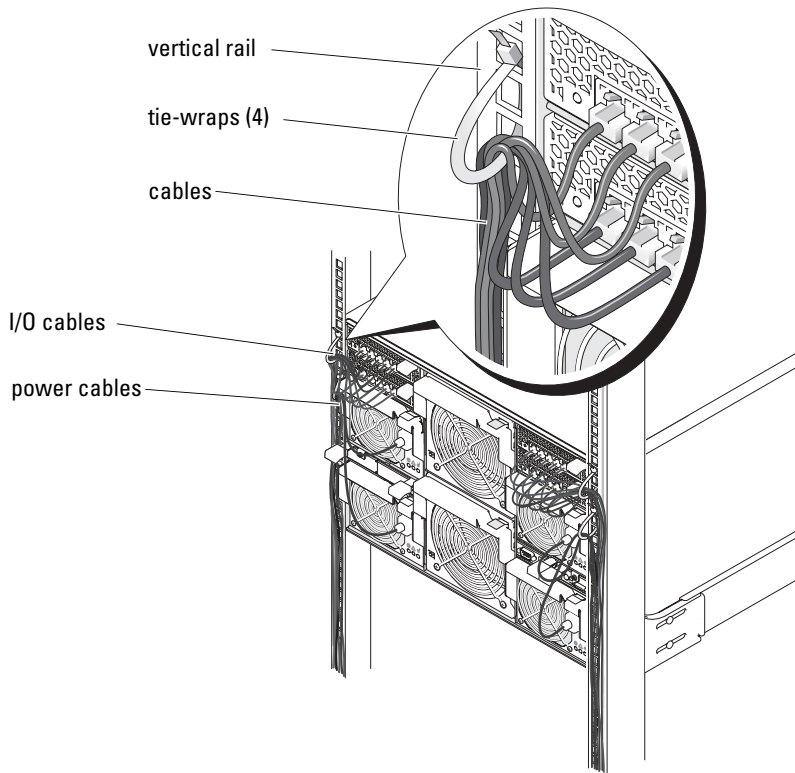
- 1 Attach the I/O cable connectors and power cables to their respective connectors on the system back panel. For details on cable connections, see your system's *Getting Started Guide*, *Installation and Troubleshooting Guide*, and *User's Guide*.



NOTE: Use the strain-relief loops (if available) on the back of the power supplies to provide strain relief for the power cables.

- 2 Using the following guidelines, secure the cables to the rack's back vertical rails using the four releasable tie-wraps supplied in the rack kit (see Figure 1-8).
 - To improve serviceability and airflow, create two bundles of cables on each side of the system, keeping the area directly in back of the system as clear of cables as possible.
 - Create separate bundles of cables for the I/O cables and the power cables.
 - If the cables are sufficiently flexible, leave 10–15 cm (4–6 inches) of slack in the cables between the cable tie and the system, to improve serviceability of the modules.

Figure 1-8. Securing the Cables to the Rack



Replacing the Rack Doors

See the procedures for replacing doors in the documentation provided with your rack cabinets. This completes the rack installation of your system.

Index

C

cable routing, 13

D

doors

removing, 9

replacing, 14

I

installing

system in the rack, 12

K

kit contents

RapidRails, 7

VersaRails, 8

M

marking the rack, 9

R

rack

marking, 9

rack mount precautions, 6

rack stabilizer feet, 6

RapidRails kit contents, 7

routing cables, 13

S

safety instructions, 5

T

tools and supplies

four-post kits, 7

V

VersaRails

kit contents, 8

Guide d'installation du rack

Remarques, avis et précautions



REMARQUE : une REMARQUE indique des informations importantes qui peuvent vous aider à mieux utiliser votre ordinateur.



AVIS : un AVIS vous avertit d'un risque de dommage matériel ou de perte de données et vous indique comment éviter le problème.



PRÉCAUTION : une PRÉCAUTION indique un risque potentiel d'endommagement du matériel, de blessure corporelle ou de mort.

Les informations contenues dans ce document peuvent être modifiées sans préavis.

© 2005 Dell Inc. Tous droits réservés.

La reproduction de ce document de quelque manière que ce soit sans l'autorisation écrite de Dell Inc. est strictement interdite.

Marques utilisées dans ce document : *RapidRails* et *VersaRails* sont des marques de Dell Inc.

Tous les autres noms de marques et marques commerciales utilisés dans ce document se rapportent aux sociétés propriétaires des marques et des noms de ces produits. Dell Inc. décline tout intérêt dans l'utilisation des marques déposées et des noms de marques ne lui appartenant pas.

Sommaire

Consignes de sécurité	21
SÉCURITÉ : Montage en rack des systèmes.	21
Instructions d'installation	22
Avant de commencer	22
Tâches d'installation	23
Outils et fournitures recommandés.	23
Contenu du kit RapidRails	24
Contenu du kit VersaRails	24
Retrait des portes du rack	25
Marquage du rack	25
Installation des rails coulissants RapidRails	27
Installation des rails coulissants VersaRails	28
Installation du système dans le rack	29
Routage des câbles	30
Remise en place des portes du rack	31
Index	33

Figures

Figure 1-1.	Contenu du kit RapidRails	24
Figure 1-2.	Contenu du kit VersaRails	24
Figure 1-3.	Unité de rack	25
Figure 1-4.	Marquage des rails verticaux	26
Figure 1-5.	Installation des rails coulissants RapidRails	27
Figure 1-6.	Installation des rails VersaRails	28
Figure 1-7.	Installation du système dans le rack	29
Figure 1-8.	Fixation des câbles au rack	30


Consignes de sécurité


Respectez les consignes de sécurité de ce guide pour assurer votre sécurité personnelle et pour contribuer à protéger votre système et votre environnement de dommages potentiels. Pour obtenir des informations complètes sur la sécurité, reportez-vous au *Guide d'information sur le produit*.


SÉCURITÉ : Montage en rack des systèmes

Pour la stabilité du rack et pour votre sécurité, respectez les précautions suivantes.

Les systèmes sont considérés comme étant les composants d'un rack. Le terme "composant" fait donc référence à un système mais aussi aux différents périphériques ou matériels associés.

 **PRÉCAUTION** : avant d'installer des systèmes dans un rack autonome, installez d'abord les pieds stabilisateurs avant et latéraux. Pour plusieurs racks associés, installez d'abord les pieds stabilisateurs avant. L'installation de systèmes dans un rack non équipé de pieds stabilisateurs peut provoquer son basculement et entraîner des blessures. Installez toujours les pieds stabilisateurs du rack avant d'ajouter des composants dans celui-ci.

 **PRÉCAUTION** : après avoir installé le système/les composants dans un rack, ne sortez jamais plusieurs composants à la fois à l'aide des supports coulissants. Si vous sortez plusieurs composants en même temps, le poids correspondant pourrait faire basculer le rack, qui risquerait alors de blesser quelqu'un.

 **REMARQUE** : la sécurité du système est certifiée pour une utilisation en autonome ou une installation en rack effectuée à l'aide du kit approprié, à condition que l'armoire et le kit d'installation utilisés ait été conçus pour ce système. L'installation du système et du kit d'installation en rack dans une autre armoire n'a reçu aucune homologation des organismes de certification de la sécurité. Il est de votre entière responsabilité de faire évaluer par un organisme de sécurité agréé la combinaison finale du système et du kit dans une armoire en rack. Le constructeur décline toute responsabilité ou garantie liée à ce type de combinaisons.

- Les kits de montage en rack doivent être installés dans un rack certifié, par un technicien de maintenance qualifié. Si vous installez le kit dans un autre rack, assurez-vous qu'il répond aux caractéristiques requises.
- Avant de travailler sur le rack, vérifiez que les pieds stabilisateurs sont fixés au rack, qu'ils touchent le sol et que tout le poids du rack repose sur le sol. Avant d'intervenir sur un rack isolé, installez d'abord les pieds stabilisateurs avant et latéraux. Pour plusieurs racks associés, installez les pieds stabilisateurs avant.
- Chargez le rack du bas vers le haut, en plaçant toujours l'élément le plus lourd en premier.
- Assurez-vous que le rack est d'aplomb et stable avant de tirer un composant hors de son compartiment.
- Ne surchargez pas le circuit d'alimentation secteur du rack. La consommation totale du rack ne doit pas dépasser 80 % de la capacité du circuit.
- Assurez-vous que les éléments installés dans le rack sont suffisamment ventilés.
- Ne montez pas sur un composant lorsque vous intervenez sur d'autres composants du rack.

Instructions d'installation

Ce guide d'installation contient des instructions s'adressant à des techniciens de maintenance qualifiés. Il explique comment installer un ou plusieurs systèmes dans un rack à châssis ouvert ou une armoire rack. Les rails RapidRails™ peuvent être installés sans outils dans toutes les armoires rack du fabricant qui disposent de trous carrés ; les rails VersaRails™ peuvent être installés dans la plupart des armoires rack conformes aux standards, avec des trous carrés ou ronds. Les procédures d'installation des kits de rack RapidRails et VersaRails sont similaires. Un kit d'installation en rack est nécessaire pour chaque système installé dans le rack.



PRÉCAUTION : n'installez pas de kits prévus pour un autre système. Sinon, vous risquez d'endommager le système et de vous blesser.

Le kit VersaRails peut être installé dans la plupart des armoires rack conformes aux normes de l'industrie.



AVIS : le kit VersaRails est prévu pour être installé par des techniciens de maintenance qualifiés dans un rack conforme aux spécifications des organismes suivants : American National Standards Institute (ANSI)/Electronic Industries Association (EIA) standard ANSI/EIA-310-D92, International Electrotechnical Commission (IEC) 297, et Deutsche Industrie Norm (DIN) 41494. Un kit est nécessaire pour chaque système installé dans un rack.

Avant de commencer

Avant de commencer à installer le système dans le rack, lisez attentivement la section “Consignes de sécurité” au début de ce document, ainsi que les instructions de sécurité du *Guide d'information sur le produit*.




PRÉCAUTION : lorsque vous installez plusieurs systèmes dans un rack, effectuez toutes les procédures s'appliquant au système en cours avant d'essayer d'installer le système suivant.




PRÉCAUTION : les racks peuvent être extrêmement lourds, mais se déplacent assez facilement sur leurs roulettes. Cependant, ils ne possèdent pas de système de freinage. Procédez par conséquent avec la plus grande prudence pour déplacer un rack. Rentrez ses pieds réglables lorsque vous le changez d'emplacement. Évitez de déplacer le rack le long de rampes ou de plans inclinés trop longs ou trop abrupts, sur lesquels l'armoire pourrait vous échapper. Ressortez les pieds réglables lorsqu'il est nécessaire de soutenir l'armoire ou pour lui éviter de glisser sur ses roulettes.


Informations importantes sur la sécurité

Respectez les précautions décrites dans les sous-sections suivantes lors de l'installation du système dans le rack.

 **PRÉCAUTION** : vous devez respecter à la lettre les procédures de ce document afin de garantir votre propre protection ainsi que celle d'autrui. Le système peut être très lourd et volumineux. Une préparation et une planification adéquates sont donc importantes afin d'éviter tout risque de blessure pour vous-même ou autrui. Ces précautions sont d'autant plus importantes lorsque les systèmes sont installés en hauteur.

Pieds stabilisateurs du rack

 **PRÉCAUTION** : avant d'installer des systèmes dans un rack autonome, installez d'abord les pieds stabilisateurs avant et latéraux. Pour plusieurs racks associés, installez d'abord les pieds stabilisateurs avant. L'installation de systèmes dans un rack non équipé de pieds stabilisateurs peut provoquer son basculement et entraîner des blessures. Installez toujours les pieds stabilisateurs du rack avant d'ajouter des composants dans celui-ci.

 **PRÉCAUTION** : après avoir installé des systèmes dans un rack, ne faites jamais coulisser hors du rack plus d'un système à la fois. Le poids de plusieurs systèmes sortis du rack risquerait de le faire basculer et de blesser quelqu'un gravement.

Les pieds stabilisateurs évitent au rack de basculer lorsqu'un système ou composant est totalement sorti du rack sur ses glissières. Consultez la documentation fournie avec l'armoire rack pour savoir comment installer et fixer les pieds stabilisateurs.

Tâches d'installation

Pour installer un kit, vous devez effectuer les tâches suivantes dans l'ordre indiqué :

- 1 Retrait des portes du rack
- 2 Marquage du rack (si nécessaire)
- 3 Installation des rails dans le rack :
 - Installation du kit RapidRails
 - Installation du kit VersaRails
- 4 Installation du système dans le rack
- 5 Routage des câbles
- 6 Remise en place des portes du rack

Outils et fournitures recommandés

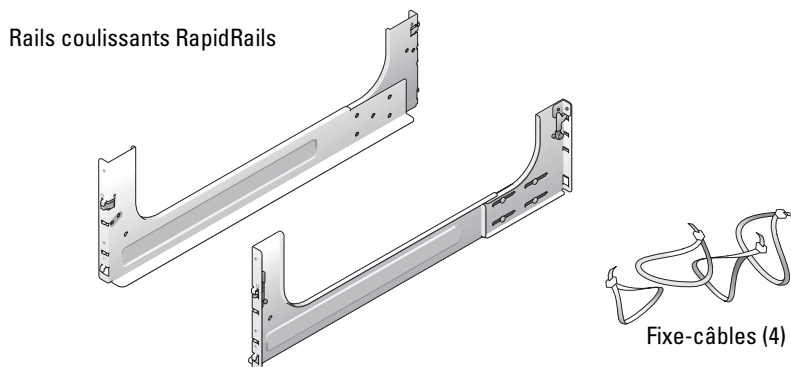
- Tournevis cruciforme n°2
- Une bande adhésive ou un stylo feutre, pour marquer les trous de montage à utiliser
- Une règle ou un mètre-ruban

Contenu du kit RapidRails

Le kit RapidRails comprend les éléments suivants (voir la figure 1-1) :

- Une paire de rails coulissants RapidRails
- Quatre fixe-câbles réutilisables

Figure 1-1. Contenu du kit RapidRails



Contenu du kit VersaRails

Le kit VersaRails comprend les éléments suivants (voir la figure 1-2) :

- Une paire de rails coulissants VersaRails
- Quatre fixe-câbles réutilisables
- Douze vis cruciformes 10-32 x 0,5 pouce


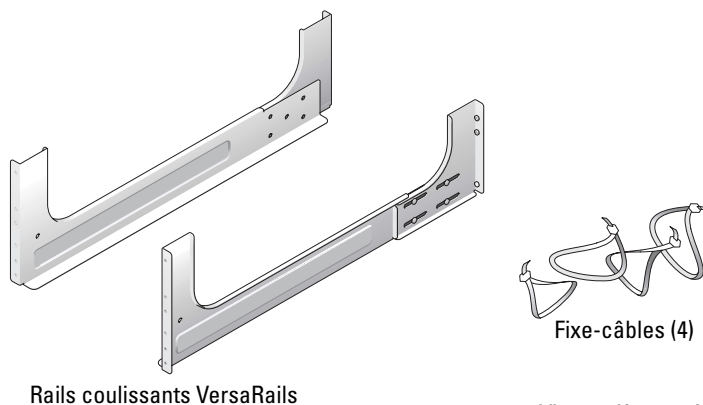

 **REMARQUE :** les vis non métriques sont identifiées dans ce document en fonction de leur taille et de leur nombre de filetages par pouce. Par exemple, une vis à tête cruciforme n° 10 avec 32 filets par pouce est désignée par l'appellation vis 10-32.

Figure 1-2. Contenu du kit VersaRails



 Vis cruciformes à tête plate
10-32 x 0,5 pouce (12)

Retrait des portes du rack

Consultez les procédures de retrait des portes dans la documentation fournie avec votre armoire rack.

⚠ PRÉCAUTION : compte tenu de leur poids et taille, ne retirez ou n'installez jamais les portes tout seul.

⚠ PRÉCAUTION : placez les deux portes dans un endroit sûr où elles ne risquent pas de tomber accidentellement et de blesser quelqu'un.

Marquage du rack

Vous devez laisser un espace vertical de 7 U (31,1 cm ou 12,25 pouces) pour chaque système installé dans le rack (voir la figure 1-3).

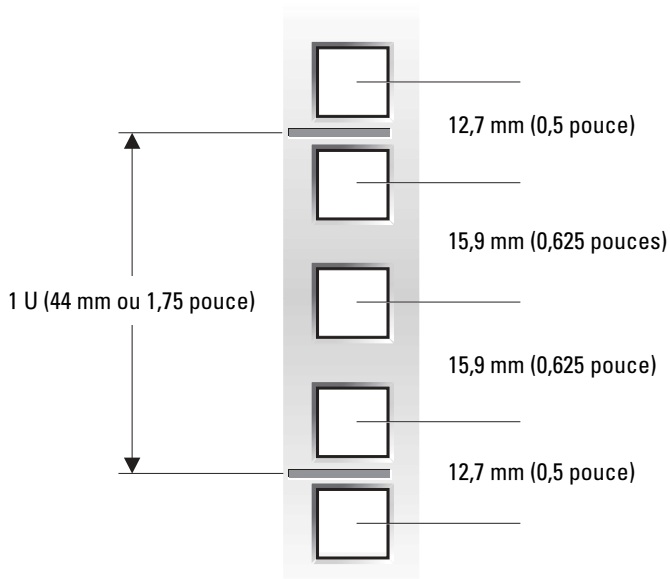
📌 REMARQUE : il se peut que votre rack soit déjà marqué, auquel cas cette procédure est inutile.

⚠ PRÉCAUTION : si vous installez plusieurs systèmes, placez les rails coulissants de façon que le premier système soit disposé le plus bas possible dans le rack.

- 1 Placez une marque sur les rails verticaux avant du rack, à l'endroit correspondant au bas du système à installer.

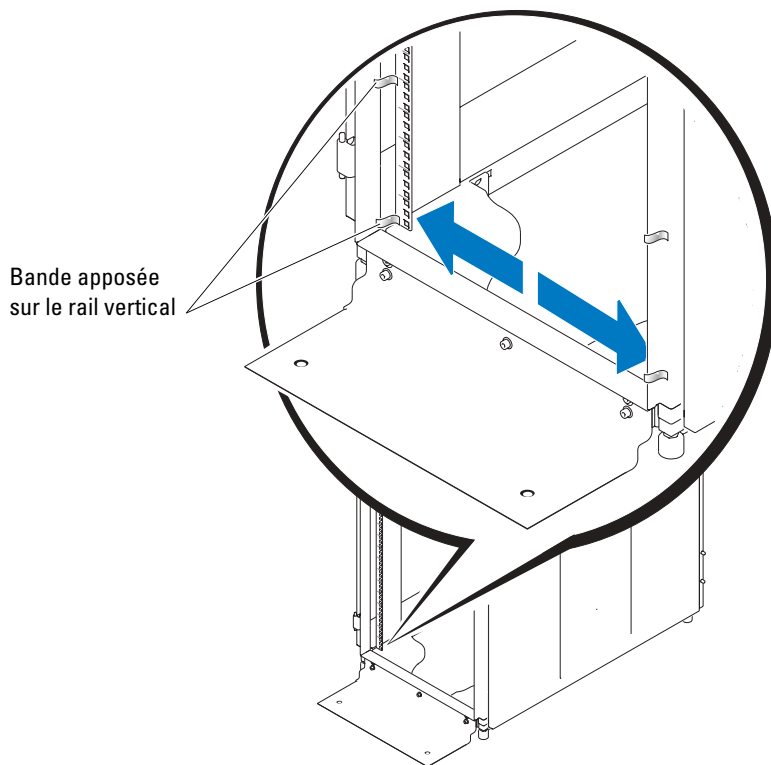
Le bas de chaque espace 1 U se trouve au milieu de la zone métallique la plus étroite entre les trous (repérée par une ligne horizontale sur certaines armoires rack ; voir la figure 1-3).

Figure 1-3. Unité de rack



- 2 Marquez les rails verticaux avant du rack avec un stylo feutre ou de la bande protectrice adhésive, à environ 31,1 cm au-dessus de la marque que vous aviez faite à l'origine (ou comptez 21 trous, pour un rack conforme aux normes EIA-310). Si vous avez compté les trous, mettez la marque au-dessus du trou supérieur. Cette marque ou ce morceau de bande adhésive indique l'emplacement du rebord supérieur du système sur les rails verticaux (voir la figure 1-4).

Figure 1-4. Marquage des rails verticaux

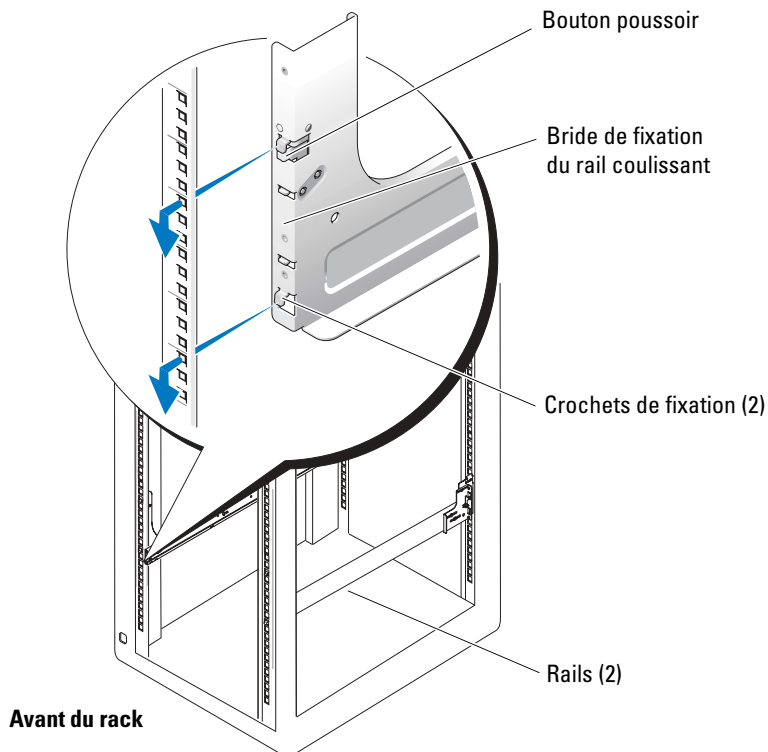


Installation des rails coulissants RapidRails

- 1 À l'avant de l'armoire rack, positionnez l'un des rails coulissants RapidRails de sorte que sa plaque de fixation soit à l'endroit voulu sur le rack (voir la figure 1-5).
Le crochet de fixation inférieur sur la bride de fixation avant du rail coulissant doit pénétrer dans le troisième trou en partant de la marque inférieure que vous avez faite sur les rails verticaux.
- 2 Poussez le rail vers l'avant jusqu'à ce que le crochet de fixation supérieur pénètre dans son trou carré, juste sous les marques supérieures ou la bande placée sur le rail vertical. Ensuite, appuyez sur la bride de fixation jusqu'à ce que le crochet de fixation s'enclenche dans les trous carrés et que le bouton-poussoir ressorte avec un déclic (voir la figure 1-5).
- 3 À l'arrière de l'armoire, tirez la bride de fixation vers l'arrière jusqu'à ce que les crochets de fixation soient dans les trous voulus, puis appuyez sur la bride de fixation jusqu'à ce que les crochets s'enclenchent dans les trous carrés et que le bouton-poussoir ressorte avec un déclic.
- 4 Répétez les étapes 1 à 3 pour le rail situé sur l'autre côté du rack.

 **REMARQUE :** vérifiez que les rails sont placés à la même hauteur de chaque côté du rack.

Figure 1-5. Installation des rails coulissants RapidRails



Installation des rails coulissants VersaRails

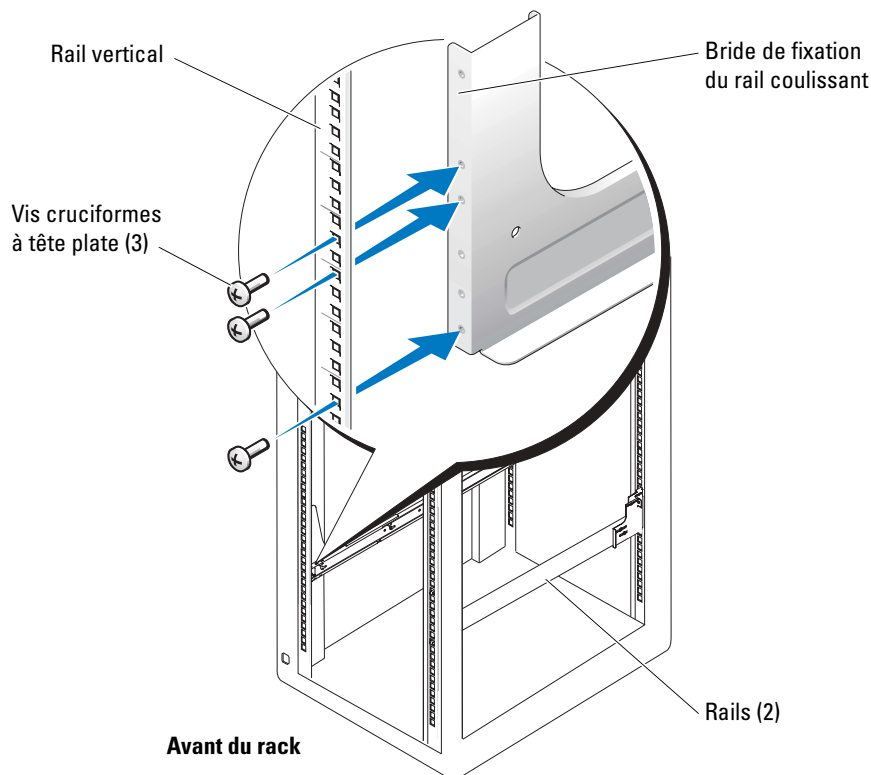
- 1 À l'avant du rack, positionnez l'un des rails coulissants VersaRails de façon que la bride de fixation soit située entre les marques ou la bande adhésive (ou l'emplacement numéroté) sur le rack (voir la figure 1-6).

Les trous à l'avant de la bride de fixation doivent correspondre avec les trous entre les marques faites sur le rail vertical avant.

- 2 Insérez trois vis cruciformes à tête plate 10-32 x 0,5 pouce pour fixer le rail coulissant au rail vertical avant (voir la figure 1-6).
- 3 À l'arrière de l'armoire, tirez sur la plaque de fixation jusqu'à ce que les trous de montage s'alignent avec leurs trous respectifs sur le rail vertical arrière.
- 4 Insérez trois vis cruciformes à tête plate 1-32 x 0,5 pouce dans les trous de la bride de fixation arrière, de manière à fixer le rail coulissant au rail vertical arrière.
- 5 Répétez les étapes 1 à 4 pour le rail situé sur l'autre côté du rack.

 **REMARQUE :** vérifiez que les rails sont placés à la même hauteur de chaque côté du rack.

Figure 1-6. Installation des rails VersaRails



Installation du système dans le rack






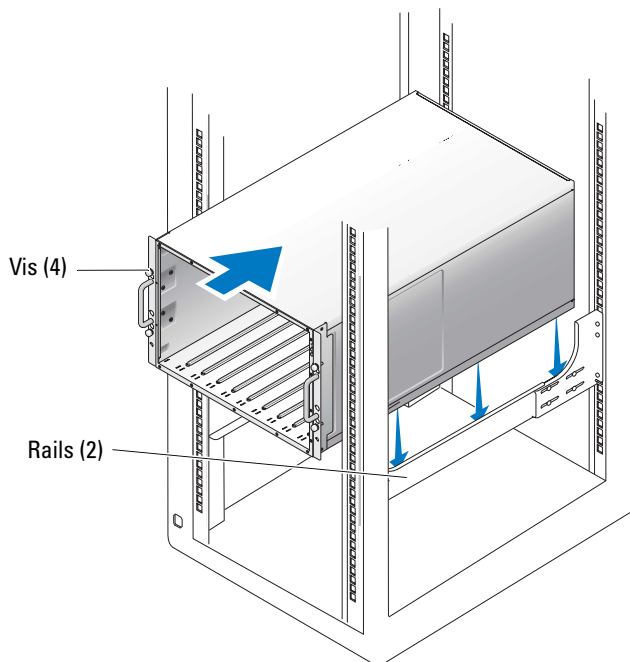
-  **PRÉCAUTION** : si vous installez plusieurs systèmes, installez le premier le plus bas possible dans le rack.
 -  **PRÉCAUTION** : ne retirez jamais plusieurs composants du rack en même temps.
 -  **PRÉCAUTION** : en raison de la taille et du poids du système, ne tentez jamais de l'installer seul dans le rack.
 -  **PRÉCAUTION** : il est recommandé de travailler à plusieurs pour soulever le système.
 -  **AVIS** : il est recommandé d'utiliser une table élévatrice pour installer le système dans le rack, particulièrement si les rails coulissants sont situés plus haut qu'à mi-corps.
- 1 Soulevez le système pour le positionner et l'installer dans le rack.
Il est recommandé de travailler à plusieurs pour soulever le système.
 - 2 Faites glisser le système dans le rack et abaissez-le sur les rails coulissants (voir la figure 1-7).
 - 3 Resserrez les vis à molette sur le panneau avant du rack.

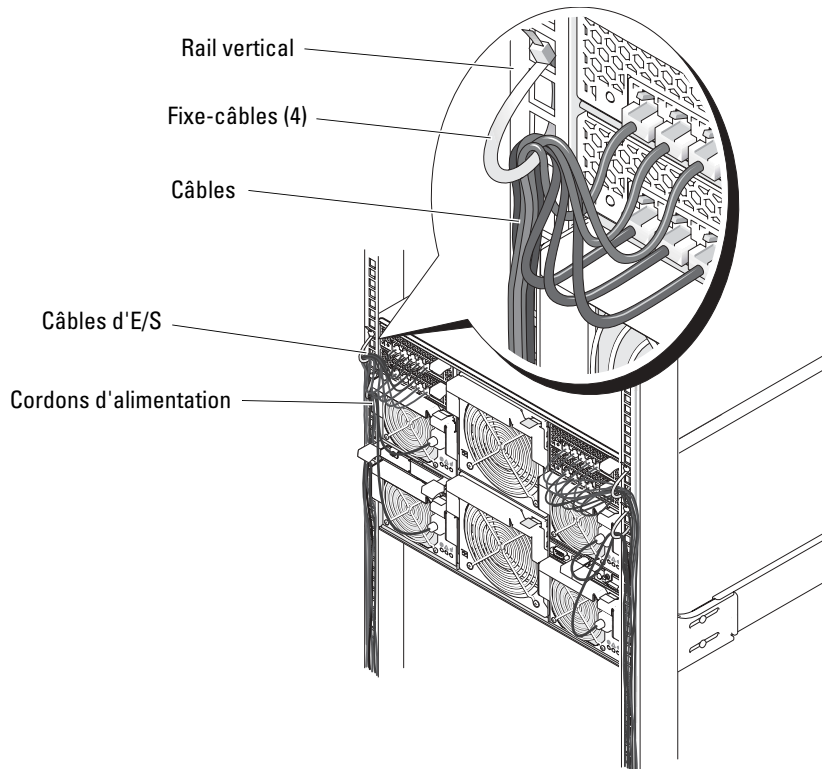
Figure 1-7. Installation du système dans le rack



Routage des câbles

- 1 Branchez les connecteurs des câbles d'E/S et les cordons d'alimentation sur les connecteurs correspondants, à l'arrière du système. Pour plus de détails sur le branchement des câbles, consultez le *Guide de mise en route*, le *Guide d'installation et de dépannage* et le *Guide d'utilisation du système*.
 - **REMARQUE** : si possible, utilisez les boucles des serre-câbles situées à l'arrière des blocs d'alimentation pour éviter une tension excessive des cordons d'alimentation.
- 2 Suivez les instructions ci-après pour fixer les câbles sur les rails verticaux arrière à l'aide des quatre fixe-câbles fournis avec le rack (voir la figure 1-8).
 - Pour faciliter la maintenance du système tout en assurant une ventilation appropriée, regroupez les câbles en deux faisceaux et placez-les de part et d'autre du système pour dégager l'arrière du système.
 - Attachez les câbles d'E/S et les cordons d'alimentation séparément.
 - Si les câbles sont suffisamment flexibles, laissez 10 à 15 cm (4 à 6 pouces) de jeu entre le fixe-câbles et le système, pour permettre aux techniciens de maintenance d'accéder plus facilement aux modules.

Figure 1-8. Fixation des câbles au rack



Remise en place des portes du rack

Consultez les procédures de réinstallation des portes dans la documentation fournie avec vos armoires rack.

L'installation du système dans le rack est terminée.

Index

C

- Câbles, routage, 30
- Consignes de sécurité, 21
- Contenu du kit
VersaRails, 24
- Contenu du kit RapidRails, 24

I

- Installation
système dans le rack, 29

K

- Kit, contenu
RapidRails, 24

M

- Marquage du rack, 25

O

- Outils et fournitures
kit pour armoire à
quatre montants, 23

P

- Pieds stabilisateurs du rack, 23
- Portes
remise en place, 31
retrait, 25
- Précautions de montage
des racks, 22

R




- Rack
marquage, 25
- Routage des câbles, 30

V

- VersaRails
contenu du kit, 24

Rack-Installationsanleitung

Anmerkungen, Hinweise und Warnungen

-  **ANMERKUNG:** Eine ANMERKUNG macht auf wichtige Informationen aufmerksam, die Ihnen die Arbeit mit dem Computer erleichtern.
-  **HINWEIS:** Ein HINWEIS warnt vor möglichen Beschädigungen der Hardware oder Datenverlust und zeigt, wie diese vermieden werden können.
-  **VORSICHT:** VORSICHT zeigt eine potenziell gefährliche Situation an, die zu Sachschäden, Verletzungen oder zum Tod führen könnte.

Irrtümer und technische Änderungen vorbehalten.
© 2005 Dell Inc. Alle Rechte vorbehalten.

Die Reproduktion dieses Dokuments in jeglicher Form ohne vorherige schriftliche Genehmigung von Dell Inc. ist streng verboten.

Marken in diesem Text: *RapidRails* und *VersaRails* sind Marken von Dell Inc.

Alle anderen in dieser Dokumentation genannten Marken und Handelsbezeichnungen sind Eigentum der jeweiligen Hersteller und Firmen. Dell Inc. erhebt keinen Anspruch auf Marken und Handelsbezeichnungen mit Ausnahme der eigenen.

Inhalt

Sicherheitshinweise	39
SICHERHEIT: Montieren von Systemen im Rack	39
Installationsanleitung	40
Bevor Sie beginnen	40
Ablauf der Installation	41
Empfohlene Werkzeuge und Zubehör	41
Inhalt des RapidRails-Rack-Kits	42
Inhalt des VersaRails-Rack-Kits	42
Abnehmen der Rack-Türen	43
Markieren des Racks	43
Einbau der RapidRails-Gleitschienen	44
Einbau der VersaRails-Gleitschienen	46
Einbau des Systems im Rack	47
Verlegen der Kabel	48
Wiederanbringen der Rack-Türen	49
Index	51

Abbildungen

Abbildung 1-1.	Inhalt des RapidRails-Rack-Kits	42
Abbildung 1-2.	Inhalt des VersaRails-Rack-Kits	42
Abbildung 1-3.	Eine Rack-Einheit	43
Abbildung 1-4.	Vertikale Schienen markieren	44
Abbildung 1-5.	Einbau der RapidRails-Gleitschienen	45
Abbildung 1-6.	Einbau der VersaRails-Gleitschienen	46
Abbildung 1-7.	Einbau des Systems im Rack	47
Abbildung 1-8.	Kabel am Rack sichern	48


Sicherheitshinweise


Beachten Sie die nachfolgenden Sicherheitshinweise, um Ihre eigene Sicherheit zu gewährleisten und eine Beschädigung des Systems sowie der Arbeitsumgebung zu vermeiden. Vollständige Informationen über die Sicherheitsanforderungen finden Sie im *Produktinformationshandbuch*.


SICHERHEIT: Montieren von Systemen im Rack

Folgende Vorsichtsmaßnahmen dienen der Stabilität und Sicherheit des Racks.

Systeme gelten als Komponenten in einem Rack. Der Begriff „Komponente“ kann also ein beliebiges System oder verschiedene Peripheriegeräte oder Zusatzhardware bezeichnen.

 **VORSICHT: Bevor Sie Systeme in einem Rack einbauen, installieren Sie bei frei stehenden Racks die vorderen und seitlichen Stabilisatoren und bei Racks, die mit anderen Racks verbunden sind, die vorderen Stabilisatoren. Wenn vor dem Einsetzen von Systemen in einem Rack keine Stabilisatoren angebracht werden, kann das Rack unter Umständen umkippen und Verletzungen verursachen. Befestigen Sie daher immer zuerst die Stabilisatoren, bevor Sie Komponenten im Rack installieren.**

 **VORSICHT: Ziehen Sie nach dem Einbau von Systemen/Komponenten in einem Rack niemals mehr als eine Komponente gleichzeitig auf ihren Gleitschienen aus dem Rack. Durch das Gewicht von mehr als einer Komponente kann das Rack umkippen und Verletzungen verursachen.**

 **ANMERKUNG:** Das System ist als frei stehende Einheit und für die Verwendung als Komponente in Gestellschränken sicherheitszertifiziert, wobei das Customer Rack Kit verwendet werden muss, wenn sowohl der Gestellschrank als auch das Rack-Kit für Ihr System entwickelt wurden. Der Einbau des Systems und Rack-Kits in anderen Racks wurde von keiner Prüfbehörde untersucht. Die Eignung der endgültigen Kombination von System und Rack-Kit für den Einsatz in einem Gestellschrank müssen Sie in diesem Fall selbst durch eine zertifizierte Prüfbehörde untersuchen lassen. Der Hersteller lehnt jede Haftung und Gewährleistung für solche Kombinationen ab.


- System-Rack-Kits sollten von geschulten Servicetechnikern in einem zugelassenen Rack installiert werden. Wenn Sie das Kit in einem anderen Rack installieren, vergewissern Sie sich, dass das Rack die Spezifikationen erfüllt.
- Bevor Sie an einem Rack arbeiten, vergewissern Sie sich, dass die Stabilisatoren sicher am Rack befestigt sind, fest auf dem Boden aufliegen und dass das gesamte Gewicht des Racks auf dem Boden lastet. Montieren Sie an einem einzelnen Rack vordere und seitliche Stabilisatoren, an mehreren miteinander verbundenen Racks vordere Stabilisatoren, bevor Sie Arbeiten am Rack durchführen.
- Bestücken Sie das Rack immer von unten nach oben, und bauen Sie die schwerste Komponente zuerst in das Rack ein.
- Vergewissern Sie sich, dass das Rack gerade und stabil steht, bevor Sie eine Komponente aus dem Rack ziehen.
- Überlasten Sie nicht den AC-Versorgungsstromkreis für das Rack. Die Gesamtlast des Racks sollte 80 Prozent der Nennbelastbarkeit des Stromkreises nicht überschreiten.
- Überprüfen Sie, ob eine ausreichende Luftzufuhr zu den Komponenten im Rack gewährleistet ist.
- Treten Sie nicht und stellen Sie sich nicht auf ein System/eine Komponente, wenn Sie an anderen Systemen/Komponenten in einem Rack Arbeiten durchführen.

Installationsanleitung

Diese Installationsanleitung enthält Anweisungen für geschulte Servicetechniker zur Montage eines oder mehrerer Systeme in einem offenen Relaisgestell oder einem Gestellschrank. Das RapidRails™ Rack-Kit lässt sich ohne Werkzeuge in allen Herstellergestellschränken mit Rechtecklöchern installieren, und das VersaRails™ Rack-Kit in den meisten Standardgestellschränken mit Rechteck- oder Rundlöchern. Die Montage der RapidRails- und VersaRails-Rack-Kits verläuft ähnlich. Für jedes im Rack installierte System wird ein Rack-Kit benötigt.


 **VORSICHT: Installieren Sie keine Rack-Kit-Komponenten, die für andere Systeme vorgesehen sind. Verwenden Sie ausschließlich das für das System konzipierte Rack-Kit. Wenn Sie das Rack-Kit für ein anderes System verwenden, könnte das System beschädigt und Personen verletzt werden.**


Das VersaRails Rack-Kit kann in den meisten Standardgestellschränken installiert werden.

 **HINWEIS:** Das VersaRails-Rack-Kit muss von geschulten Servicetechnikern in einem Rack installiert werden, das den Spezifikationen des American National Standards Institute (ANSI)/Electronic Industries Association (EIA) Standard ANSI/EIA-310-D-92, der International Electrotechnical Commission (IEC) 297 und der Deutschen Industrie Norm (DIN) 41494 entspricht. Für jedes in einem Rack montierte System wird ein Rack-Kit benötigt.

Bevor Sie beginnen

Lesen Sie vor dem Einbau des Systems im Rack sorgfältig die „Sicherheitshinweise“ am Anfang dieser Anleitung sowie die Sicherheitshinweise im *Produktinformationshandbuch*.

 **VORSICHT: Wenn Sie mehrere Systeme in einem Rack installieren, beenden Sie alle Prozeduren für das gerade installierte System, bevor Sie das nächste System installieren.**


 **VORSICHT: Gestellschränke können sehr schwer sein und leicht auf ihren Rollen wegrollen. Die Schränke haben keine Bremsen. Bewegen Sie das Rack nur mit größter Vorsicht. Fahren Sie die höhenverstellbaren Füße ein, bevor Sie das Rack bewegen. Vermeiden Sie lange bzw. steile Neigungen oder Rampen, auf denen Sie die Kontrolle über das Rack verlieren könnten. Fahren Sie die höhenverstellbaren Füße aus, damit das Rack abgestützt wird und nicht wegrollen kann.**

Wichtige Sicherheitshinweise

Beachten Sie beim Einbau des Systems im Rack die Sicherheitsmaßnahmen in den folgenden Unterabschnitten.

 **VORSICHT: Befolgen Sie die in diesem Dokument angegebene Vorgehensweise genau, um sich selbst und Ihre Mitarbeiter nicht zu gefährden. Das System ist möglicherweise sehr groß und schwer. Sie sollten die Installation sorgfältig vorbereiten und planen, um Verletzungen zu vermeiden. Dies gilt besonders, wenn Systeme weiter oben im Rack installiert werden.**

Rack-Stabilisatoren

 **VORSICHT:** Bevor Sie Systeme in einem Rack einbauen, installieren Sie bei frei stehenden Racks die vorderen und seitlichen Stabilisatoren und bei Racks, die mit anderen Racks verbunden sind, die vorderen Stabilisatoren. Wenn vor dem Einsetzen von Systemen in einem Rack keine Stabilisatoren angebracht werden, kann das Rack unter Umständen umkippen und Verletzungen verursachen. Befestigen Sie daher immer zuerst die Stabilisatoren, bevor Sie Komponenten im Rack installieren.

 **VORSICHT:** Wenn Sie Systeme in einem Rack installiert haben, ziehen Sie niemals mehr als ein System gleichzeitig auf den Gleitschienen aus dem Rack. Durch das Gewicht von mehr als einem herausgezogenen System kann das Rack umkippen, was Verletzungen hervorrufen kann.

Die Stabilisatoren verhindern, dass das Rack umkippt, wenn ein System oder eine andere Komponente auf den Gleitschienen vollständig aus dem Rack gezogen wird. Anleitungen zur Installation und Befestigung der Stabilisatoren finden Sie in der mit dem Gestellschrank gelieferten Dokumentation.

Ablauf der Installation

Bei der Montage eines Rack-Kits sind die Arbeitsschritte in folgender Reihenfolge auszuführen:

- 1 Abnehmen der Rack-Türen
- 2 Markieren des Racks (falls notwendig)
- 3 Installation der Schienensätze im Rack:
 - Einbau der RapidRails
 - Einbau der VersaRails
- 4 Einbau des Systems im Rack
- 5 Verlegen der Kabel
- 6 Wiederanbringen der Rack-Türen

Empfohlene Werkzeuge und Zubehör

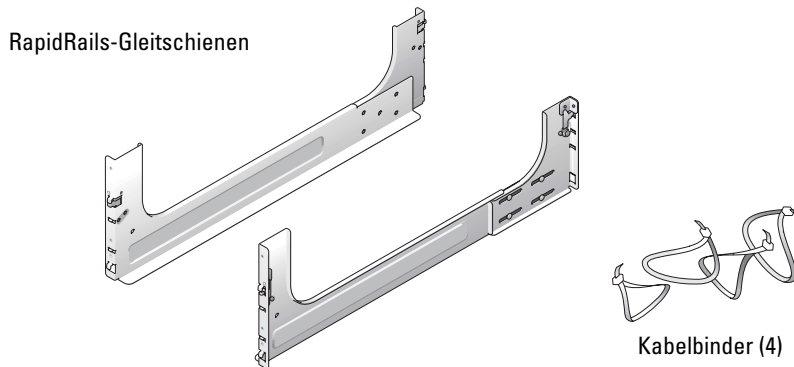
- Einen Kreuzschlitz-Schraubendreher Nr. 2
- Kreppband oder einen Filzstift zur Markierung der verwendeten Montagelöcher
- Einen Maßstab oder ein Maßband

Inhalt des RapidRails-Rack-Kits

Das RapidRails-Rack-Kit enthält folgende Teile (siehe Abbildung 1-1):

- Ein Paar RapidRails-Gleitschienen
- Vier wiederverwendbare Kabelbinder

Abbildung 1-1. Inhalt des RapidRails-Rack-Kits



Inhalt des VersaRails-Rack-Kits

Das VersaRails-Rack-Kit enthält folgende Teile (siehe Abbildung 1-2):

- Ein Paar VersaRails-Gleitschienen
- Vier wiederverwendbare Kabelbinder
- Zwölf 10-32 x 0,5-Zoll Kreuzschlitz-Bundschrauben


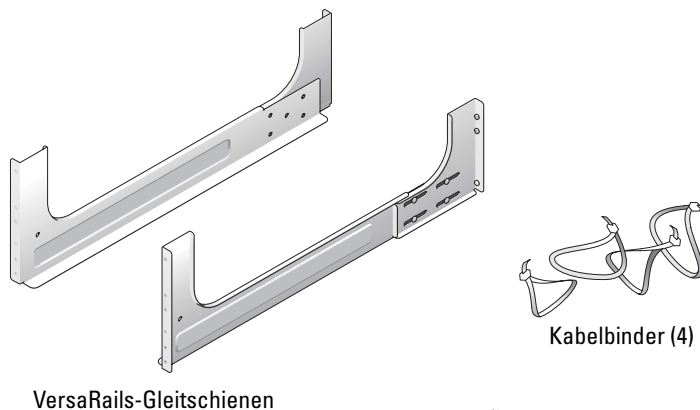

 **ANMERKUNG:** Nichtmetrische Schrauben sind in diesem Dokument durch Größe und Zahl der Windungen pro Zoll gekennzeichnet. So wird z. B. eine Kreuzschlitzschraube Nr. 10 mit 32 Windungen pro Zoll als 10-32-Schraube bezeichnet.

Abbildung 1-2. Inhalt des VersaRails-Rack-Kits



 10-32 x 0,5-Zoll Kreuzschlitz-Bundschrauben (12)

Abnehmen der Rack-Türen

Siehe Vorgehensweise zum Entfernen der Türen in der Dokumentation des Racks.

⚠ VORSICHT: Wegen der Größe und des Gewichts der Rack-Türen sollten Sie keinesfalls versuchen, sie alleine abzunehmen oder einzubauen.

⚠ VORSICHT: Verstauen Sie die Türen so, dass niemand verletzt wird, falls sie versehentlich umfallen.

Markieren des Racks

Jedes im Rack installierte System benötigt 7 U (31,1 cm oder 12,25 Zoll) vertikalen Abstand (siehe Abbildung 1-3).

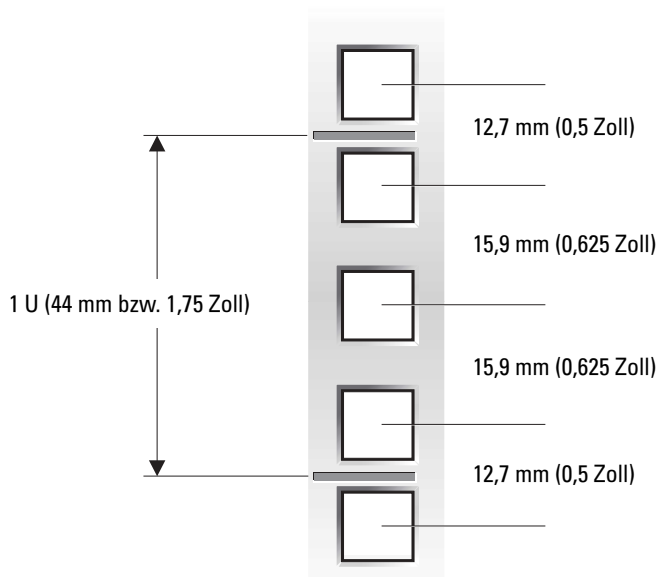
📌 ANMERKUNG: Möglicherweise ist das Rack bereits markiert; in diesem Fall ist kein weiteres Markieren erforderlich.

⚠ VORSICHT: Wenn Sie mehr als ein System installieren, montieren Sie die Gleitschienen so, dass das erste System in die unterste mögliche Position im Rack zu liegen kommt.

- 1 Bringen Sie auf den vorderen vertikalen Schienen des Racks eine Markierung an der Stelle an, an der sich die Unterseite des Systems befinden soll, das Sie in das Rack einbauen möchten.

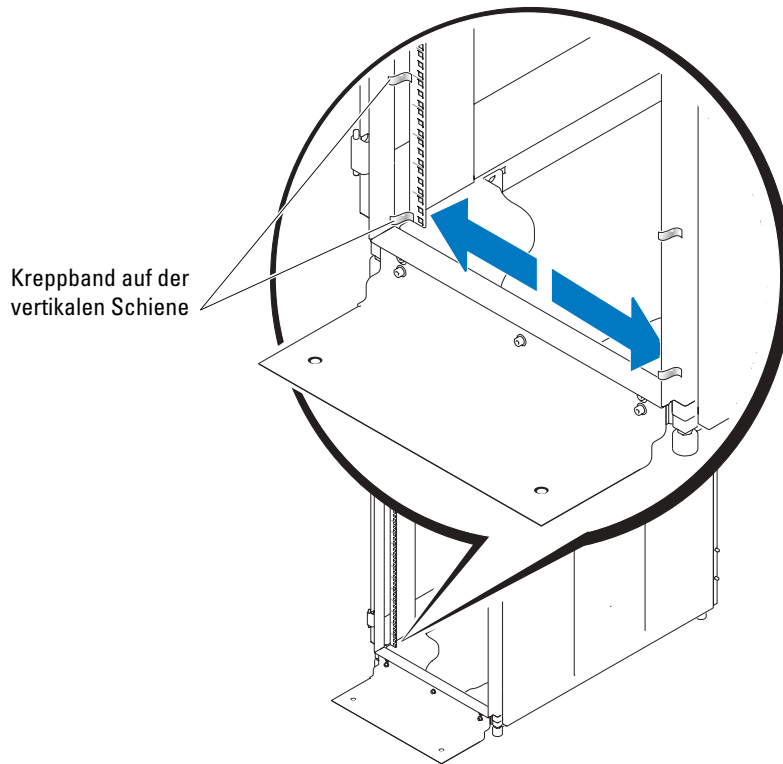
Die Unterkante jeder 1-U-Einheit befindet sich in der Mitte des schmalsten Metallstücks zwischen den Löchern (bei einigen Racks mit einer horizontalen Linie gekennzeichnet, siehe Abbildung 1-3).

Abbildung 1-3. Eine Rack-Einheit



- 2 Markieren Sie die vorderen vertikalen Rack-Schienen mit einem Filzstift oder Kreppband ungefähr 31,1 cm (12,25 Zoll) oberhalb Ihrer ursprünglichen Markierung (oder zählen Sie bei Racks nach EIA-310-Standard 21 Löcher nach oben). (Wenn Sie Löcher gezählt haben, machen Sie eine Markierung direkt über dem obersten Loch.) Die Markierung bzw. das Kreppband zeigt die spätere Position der Oberkante des Systems an den vertikalen Schienen (siehe Abbildung 1-4).

Abbildung 1-4. Vertikale Schienen markieren



Einbau der RapidRails-Gleitschienen

- 1 Setzen Sie eine der RapidRails-Gleitschienen so an der Vorderseite des Gestellschranks an, dass der Montagehalterungsflansch an der korrekten Stelle am Rack eingreift (siehe Abbildung 1-5).
Der untere Montagehaken am vorderen Montagehalterungsflansch der Gleitschiene sollte von der unteren Markierung gerechnet in das dritte Loch nach oben auf den vertikalen Schienen eingreifen.

- 2 Schieben Sie den Schienensatz nach vorne, bis der obere Montagehaken in das rechteckige Loch unter der oberen Markierung oder dem Krepband an der vertikalen Schiene einrastet. Drücken Sie danach auf den Flansch der Montagehalterung, bis die Montagehaken in den rechteckigen Löchern einrasten, der Verriegelungsknopf herauspringt und ein Klicken zu hören ist (siehe Abbildung 1-5).
- 3 Ziehen Sie an der Rückseite des Gestellschranks den Flansch der Montagehalterung nach hinten, bis die Montagehaken in die entsprechenden Löcher eingreifen. Drücken Sie dann den Flansch nach unten, bis die Montagehaken in den Rechtecklöchern sitzen und der Verriegelungsknopf herauspringt und einrastet.
- 4 Wiederholen Sie Schritt 1 bis 3 für die Schienensätze auf der anderen Seite des Racks.


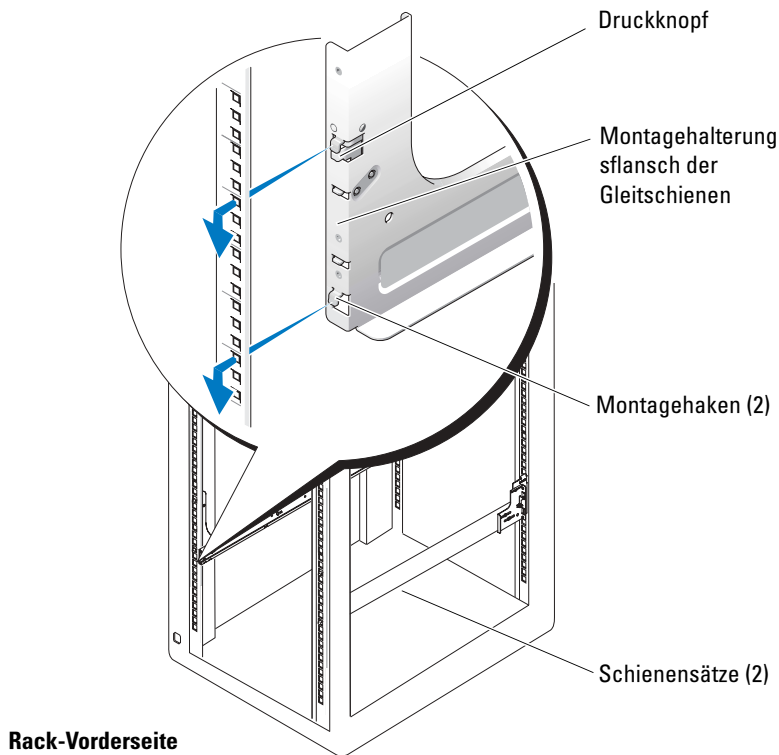
 **ANMERKUNG:** Achten Sie darauf, dass die Schienen auf jeder Rack-Seite in der gleichen Höhe an den vertikalen Schienen befestigt werden.

Abbildung 1-5. Einbau der RapidRails-Gleitschienen



Einbau der VersaRails-Gleitschienen

- 1 Setzen Sie eine VersaRails-Gleitschiene so an der Vorderseite des Gestellschranks an, dass sich der zugehörige Montagehalterungsflansch zwischen den Markierungen (oder nummerierten Stellen) am Rack befindet (siehe Abbildung 1-6).

Die Löcher an der Vorderseite der Montagehalterung sollten mit den Löchern zwischen den Markierungen an der vorderen vertikalen Schiene übereinstimmen.

- 2 Befestigen Sie die Gleitschiene mit drei 10-32 x 0,5-Zoll Kreuzschlitz-Bundschrauben an der vorderen vertikalen Schiene (siehe Abbildung 1-6).
- 3 Ziehen Sie den Montagehalterungsflansch auf der Rack-Rückseite nach hinten, bis seine Montagelöcher mit den rechteckigen Löchern auf der hinteren vertikalen Schiene übereinstimmen.
- 4 Befestigen Sie den hinteren Montageflansch der Gleitschiene mit drei 10-32 x 0,5 Zoll Kreuzschlitz-Bundschrauben an der hinteren vertikalen Schiene.
- 5 Wiederholen Sie Schritt 1 bis 4 für die Schienensätze auf der anderen Seite des Racks.


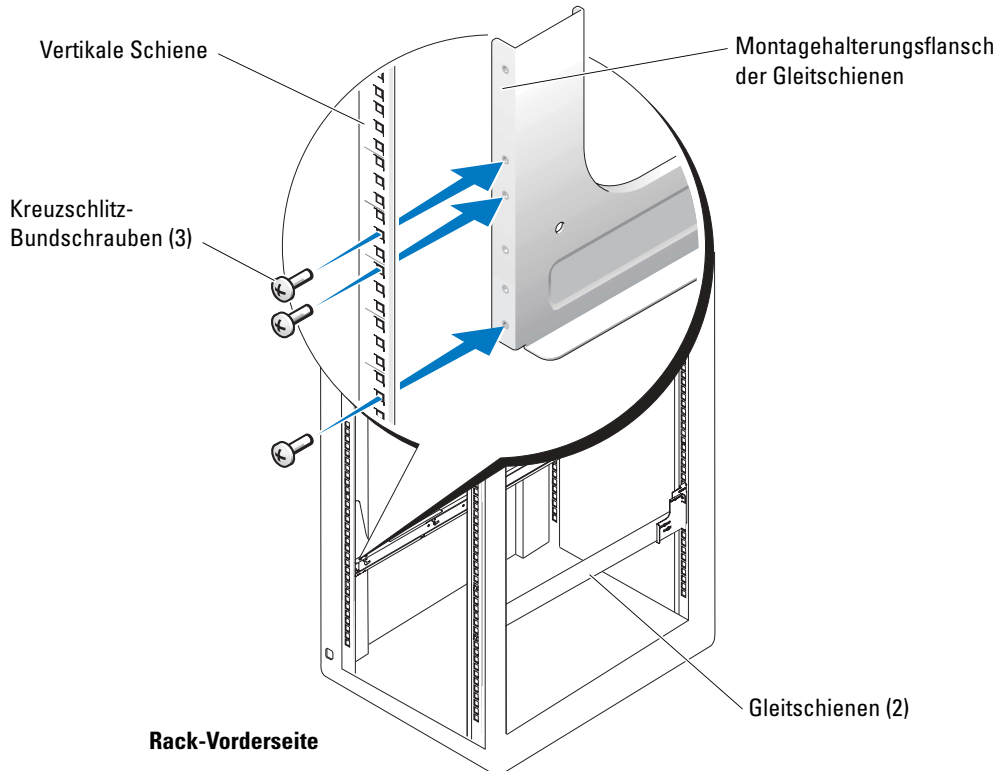
 **ANMERKUNG:** Achten Sie darauf, dass die Schienen auf jeder Rack-Seite in der gleichen Höhe an den vertikalen Schienen befestigt werden.

Abbildung 1-6. Einbau der VersaRails-Gleitschienen



Einbau des Systems im Rack






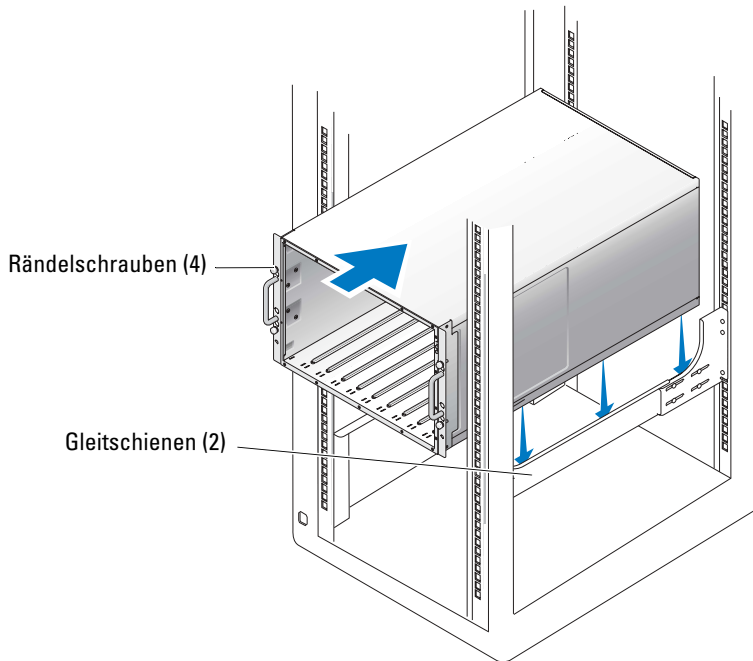
-  **VORSICHT:** Wenn Sie mehr als ein System installieren, installieren Sie das erste System in der unterstmöglichen Position im Rack.
 -  **VORSICHT:** Ziehen Sie niemals mehr als eine Komponente gleichzeitig aus dem Rack heraus.
 -  **VORSICHT:** Da das System groß und schwer ist, sollten Sie niemals versuchen, das System ohne fremde Hilfe im Rack zu installieren.
 -  **VORSICHT:** Beim Anheben des Systems sollten mindestens zwei Personen beteiligt sein.
 -  **HINWEIS:** Zum Einbau von Systemen im Rack wird der Einsatz eines Hebetisches empfohlen, insbesondere bei weiter oben liegenden Gleitschienen.
- 1 Heben Sie das System in die Einbauposition am Rack.
Beim Anheben des Systems sollten mindestens zwei Personen beteiligt sein.
 - 2 Führen Sie das System ins Rack und senken Sie es auf die Gleitschienen ab (siehe Abbildung 1-7).
 - 3 Ziehen Sie die Rändelschrauben auf der Frontplatte des Racks fest.

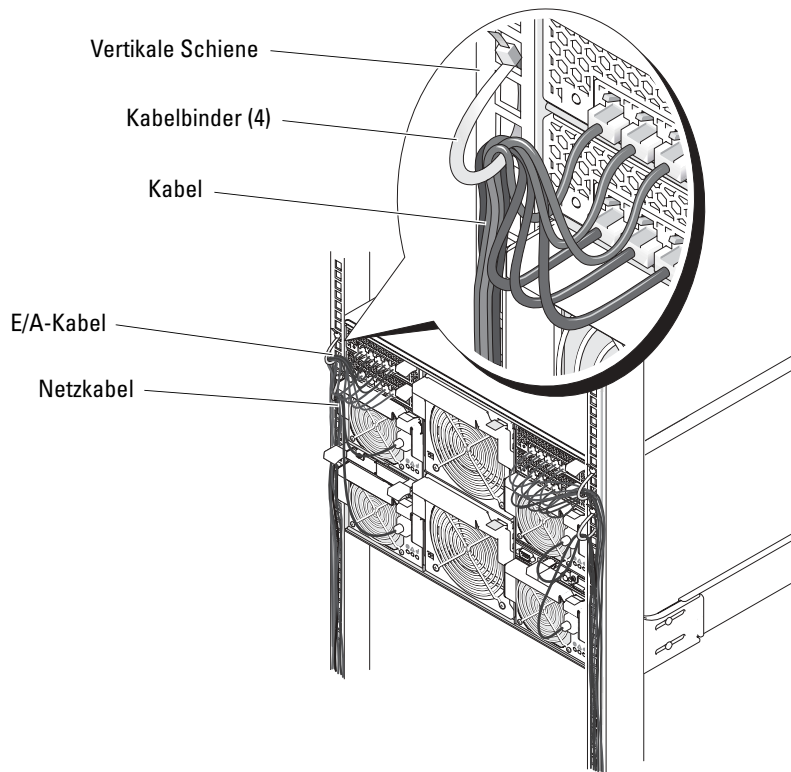
Abbildung 1-7. Einbau des Systems im Rack



Verlegen der Kabel

- 1 Verbinden Sie die E/A-Kabel und Netzstromkabel mit den entsprechenden Anschlüssen auf der Rückseite des Systems. Nähere Informationen zu Kabelverbindungen erhalten Sie in der Anleitung *Erste Schritte*, der *Anleitung zur Installation und Fehlersuche* und im *Benutzerhandbuch*.
 - **ANMERKUNG:** Verwenden Sie die Zugentlastungsschlaufen (falls vorhanden) auf der Rückseite der Netzteile, um die Stromversorgungskabel zu entlasten.
- 2 Sichern Sie die Kabel anhand der folgenden Richtlinien an den hinteren vertikalen Rack-Schienen. Verwenden Sie dazu die vier lösbaren Kabelbinder aus dem Rack-Kit (siehe Abbildung 1-8).
 - Um die Wartung zu vereinfachen und die Luftströmung zu verbessern, fassen Sie die Kabel auf beiden Seiten des Systems zu jeweils zwei Bündeln zusammen, so dass der Bereich direkt hinter dem System möglichst frei bleibt.
 - Erstellen Sie separate Kabelbündel für die E/A-Kabel und die Netzstromkabel.
 - Wenn die Kabel ausreichend flexibel sind, lassen Sie zwischen dem Kabelbinder und dem System 10-15 cm Spiel, da dies die Wartung der Module vereinfacht.

Abbildung 1-8. Kabel am Rack sichern



Wiederanbringen der Rack-Türen

Siehe Vorgehensweise zum Austauschen der Türen in der Dokumentation des Gestellschranks.
Damit ist die Rack-Installation des Systems abgeschlossen.

Index

I

Installieren
System im Rack, 47

K

Kabelführung, 48
Kit-Inhalt
RapidRails, 42
VersaRails, 42

M

Markieren des Racks, 43

R

Rack
markieren, 43
Rack-Stabilisatoren, 41
RapidRails-Kit, Inhalt, 42

S

Sicherheitshinweise, 39

T

Türen
auswechseln, 49
entfernen, 43

V




Verlegen der Kabel, 48
VersaRails
Kit-Inhalt, 42
Vorsichtsmaßnahmen bei
der Rack-Montage, 40

W

Werkzeuge und Zubehör
Vier-Stützen-Kits, 41

ラック取り付けガイド

メモ、注意、警告

-  **メモ**：コンピュータを使いやすくするための重要な情報を説明しています。
-  **注意**：ハードウェアの損傷やデータの損失の可能性を示し、その危険を回避するための方法を説明しています。
-  **警告**：物的損害、けが、または死亡の原因となる可能性があることを示します。

ここに記載されている内容は予告なく変更されることがあります。

© 2005 すべての著作権は Dell Inc. にあります。

Dell Inc. の書面による許可のない複製は、いかなる形態においても厳重に禁じられています。

このマニュアルに使用されている商標：RapidRails および VersaRails は Dell Inc. の商標です。

本書では、必要に応じて上記記載以外の商標や会社名が使用されている場合がありますが、これらの商標や会社名は、一切 Dell Inc. に所属するものではありません。

目次

安全にお使いいただくために	57
安全について：システムのラックへの取り付け	57
取り付け手順	58
作業を開始する前に	58
取り付け手順	59
推奨する工具および備品	59
RapidRails ラックキットの内容	59
VersaRails ラックキットの内容	60
ラック扉の取り外し	61
ラックへの印付け	61
RapidRails アセンブリの取り付け	62
VersaRails アセンブリの取り付け	63
ラックへのシステムの取り付け	64
ケーブルの配線	65
ラック扉の取り付け	66
索引	67



図 1-1	RapidRails ラックキットの内容	60
図 1-2	VersaRails ラックキットの内容	60
図 1-3	1 ラックユニット (1U)	61
図 1-4	垂直レールの印付け	62
図 1-5	RapidRails アセンブリの取り付け	63
図 1-6	VersaRails レールアセンブリの取り付け	64
図 1-7	ラックへのシステムの取り付け	65
図 1-8	ラックへのケーブルの固定	66


安全にお使いいただくために


ご自身の身体の安全を守り、システムおよび作業環境を保護するために、以下の安全に関するガイドラインに従ってください。安全に関する詳細な情報については、『システム情報ガイド』を参照してください。


安全について：システムのラックへの取り付け

ラックの安定性や安全性に関して、次の点にご注意ください。

システムはラックの一部とみなします。したがって、「コンポーネント」には、さまざまな周辺機器やサポートハードウェアと同様に、システムも含まれます。

 **警告：**ラックにシステムを取り付ける前に、スタンドアロンラックでは前面と横の安定板を、また複数の連結されたラックでは前面の安定板を取り付けます。安定板を取り付けずにラックにシステムを取り付けると、状況によってはラックが転倒し、けがをする恐れがあります。このため、必ず安定板を取り付けてから、ラックにコンポーネントを取り付けるようにしてください。


 **警告：**ラックにシステム/コンポーネントを取り付けた後は、一度に2台以上のコンポーネントをスライドアセンブリのラックから引き出さないでください。複数のコンポーネントを同時に引き出すと、重みでラックが転倒し、けがをする恐れがあります。

 **メモ：**お使いのシステムは、独立したユニットとして、また、ラックキャビネットとラックキットがそのシステム用に設計されたものである場合は、カスタマーラックキットを使ってラックキャビネットに設置して使用するためのコンポーネントとして、安全性が保証されています。それ以外のラックキャビネットにシステムおよびラックキットを取り付ける場合は、安全性が保証されません。他のメーカーのキャビネットで、システムやラックキットを組み合わせて使用する場合は、お客様が責任を持って安全性認定機関の適合性評価を受けてください。弊社はこのような組み合わせは保証しておらず、いかなる責任も負いません。


- システムラックキットは、トレーニングを受けたサービス技術者が、規格に適合するラックに取り付けるように設計されています。キットをこれ以外のラックに取り付ける場合は、そのラックが仕様に適合していることを確認してください。
- ラックで作業をする前に、安定板がラックに固定されて床面に伸び、ラックの全重量が床面にかかっていることを確認してください。ラックで作業をする前に、ラックが1つの場合は前面と横の安定板、複数のラックを連結する場合は前面の安定板を取り付けます。
- ラックには必ず下から上へと、最も重いものから順に設置してください。
- コンポーネントをラックから引き出す前に、ラックが水平で安定していることを確認してください。
- ラックに電力を供給する AC 分岐回路に過重電流を流さないでください。ラックの総負荷が分岐回路定格の 80% を超えないようにしてください。
- ラック内のコンポーネントが十分に通気されることを確認してください。
- ラック内の他のシステムやコンポーネントを取り扱う際に、取り付けられたシステムやコンポーネントの上に乗ったり、足を掛けたりしないでください。

取り付け手順

このガイドは、トレーニングを受けたサービス技術者が、オープンフレームリレーラックやラックキャビネットに1台または複数のシステムを取り付ける作業を行う場合の手順書です。RapidRails™ ラックキットは、角型の穴を使用するメーカーのラックキャビネットに、工具を使わずに取り付けることができます。VersaRails™ ラックキットは、角型または丸型の穴を使用する、業界規格に適合しているほとんどのキャビネットに取り付けることができます。RapidRailsとVersaRailsラックキットの取り付け手順はほとんど同じです。ラックキャビネットに取り付けるシステム1基ごとにラックキット1セットが必要です。


 **警告：**別のシステム用に設計されたラックキットの部品は取り付けないでください。お使いのシステム用のラックキットのみをお使いください。別のシステム用のラックをお使いになると、システムの損傷やけがを招く恐れがあります。


VersaRails ラックキットは、統一規格に適合しているほとんどのラックキャビネットに取り付けることができます。

 **注意：**VersaRails ラックキットは、米国規格協会 (ANSI) / 米国電子工業会 (EIA) 規格 ANSI/EIA-310-D92、国際電気標準会議 (IEC) 297、ドイツ工業規格 (DIN) 41494 の仕様を満たすラックについてトレーニングを受けたサービス技術者が取り付けするように設計されています。ラックキットは、ラックに取り付けるシステム1基につき1セット必要です。

作業を開始する前に


システムのラックへの取り付けを開始する前に、本書の「安全にお使いいただくために」およびご使用のシステムの『製品情報ガイド』の安全に関する注意事項を参照し、補足情報を確認してください。

 **警告：**複数のシステムをラックに取り付ける場合は、1台のシステムの取り付け手順を完了してから、次のシステムの取り付けに進んでください。


 **警告：**ラックキャビネットはサイズが非常に大きく重量もあるため、キャスターで簡単に移動できるようになっています。このキャスターにはブレーキがありません。したがってラックキャビネットを移動するときは十分な注意が必要です。ラックキャビネットを別の場所に移動するときは、水平調節用の脚を収納してください。長い傾斜面、急勾配のある場所、スロープなど、バランスが取りにくい場所にはキャビネットを設置しないでください。水平調節用の脚を伸ばしてキャビネットを支え、キャビネットが移動しないようにしてください。


安全に関する重要な注意

システムをラックに取り付けるときは、次の各項の安全に関する注意を遵守してください。

 **警告：**作業者は、自分自身と関係者を保護するために、本書の手順に必ず従ってください。本システムは非常に重量があり大きいため、自分自身や関係者のけがを防ぐために準備と計画を適切に行うことが重要です。この注意は、特にシステムをラックの高い位置に取り付ける場合に重要になります。

ラック安定板

 **警告：**ラックにシステムを取り付ける前に、スタンドアロンラックでは前面と横の安定板を、また複数の連結されたラックでは前面の安定板を取り付けます。安定板を取り付けずにラックにシステムを取り付けると、状況によってはラックが転倒し、けがをする恐れがあります。このため、必ず安定板を取り付けてから、ラックにコンポーネントを取り付けるようにしてください。

 **警告：**ラックにシステムを取り付けた後は、スライドアセンブリ上の複数のシステムを同時にラックから引き出さないでください。引き出された複数のシステムの重みでラックが転倒し、けがをする恐れがあります。

安定板は、スライドアセンブリが伸びきった状態でラックからシステムやその他のコンポーネントを引き出す際に、ラックの転倒を防ぎます。安定板の取り付けおよび固定手順については、ラックキャビネットに付属のマニュアルを参照してください。

取り付け手順

ラックキットを取り付けるには、次の手順を番号順に行います。

- 1 ラック扉の取り外し
- 2 ラックへの印付け（必要な場合）
- 3 ラックへのレールアセンブリの取り付け：
 - RapidRails の取り付け
 - VersaRails の取り付け
- 4 ラックへのシステムの取り付け
- 5 ケーブルの配線
- 6 ラック扉の取り付け

推奨する工具および備品

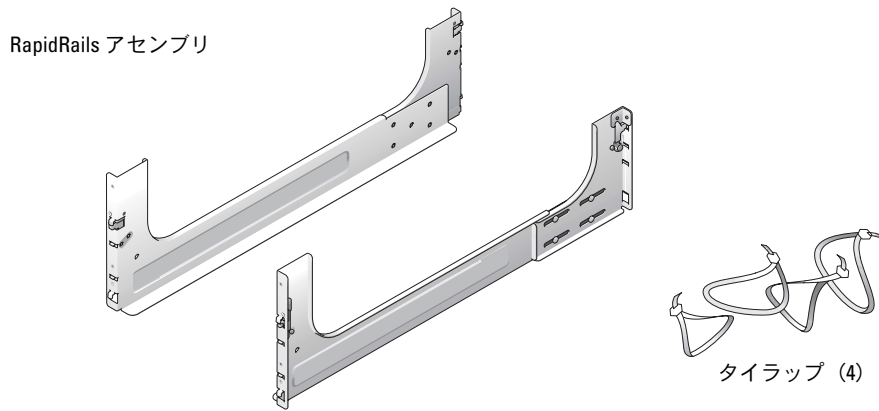
- #2 プラスドライバ
- マスキングテープまたはフェルトペン（取り付け穴に印を付けるときに使用）
- 定規または巻尺

RapidRails ラックキットの内容

RapidRails ラックキットには、以下の部品が含まれています（図 1-1 参照）。

- RapidRails アセンブリ 1 対
- 再利用可能なタイラップ 4 本

図 1-1 RapidRails ラックキットの内容



VersaRails ラックキットの内容

VersaRails ラックキットには、以下の部品が含まれています (図 1-2 参照)。

- VersaRails アセンブリ 1 対
- 再利用可能なタイラップ 4 本
- 10-32 x 0.5 インチフランジヘッドプラスネジ 12 本


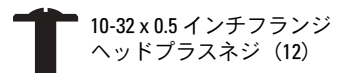
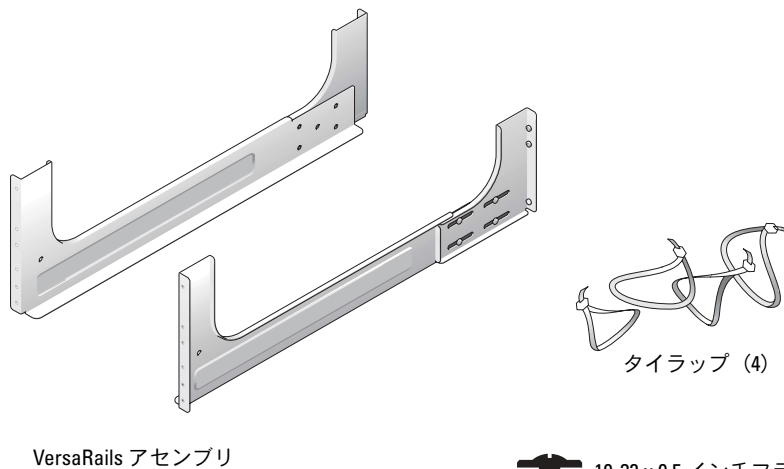
 **メモ：**本書では、メートル法規格外のネジはサイズとインチ当たりのネジ山数で表記されています。たとえば1インチに32本のネジ山がある#10 プラスネジは、10-32 ネジと表記します。

図 1-2 VersaRails ラックキットの内容



ラック扉の取り外し

ラックキャビネットに付属のマニュアルに記載されている扉の取り外し手順を参照してください。

⚠ 警告：ラックキャビネットの扉の大きさと重さを考慮して、取り付けおよび取り外しは1人では行わないでください。

⚠ 警告：取り外した扉は、不意に倒れてけがをしないような場所に保管してください。

ラックへの印付け

ラックに取り付けるシステムごとに 7 U (31.1 cm) の垂直スペースが必要です (図 1-3 を参照)。

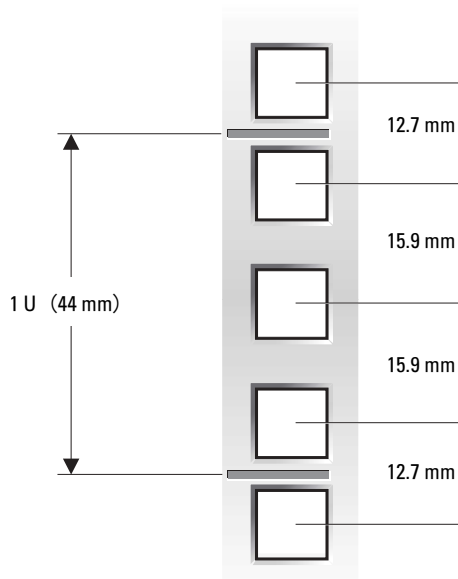
📌 メモ：ラックにすでに印が付けられている場合は、この手順は必要ありません。

⚠ 警告：複数のシステムを取り付ける場合は、ラックの最下段に1基目のシステムを取り付けられるように、レールアセンブリを取り付けてください。

- 1 ラックの前面垂直レール上で、ラックキャビネットに取り付けるシステムの底部の位置を決め、印を付けます。

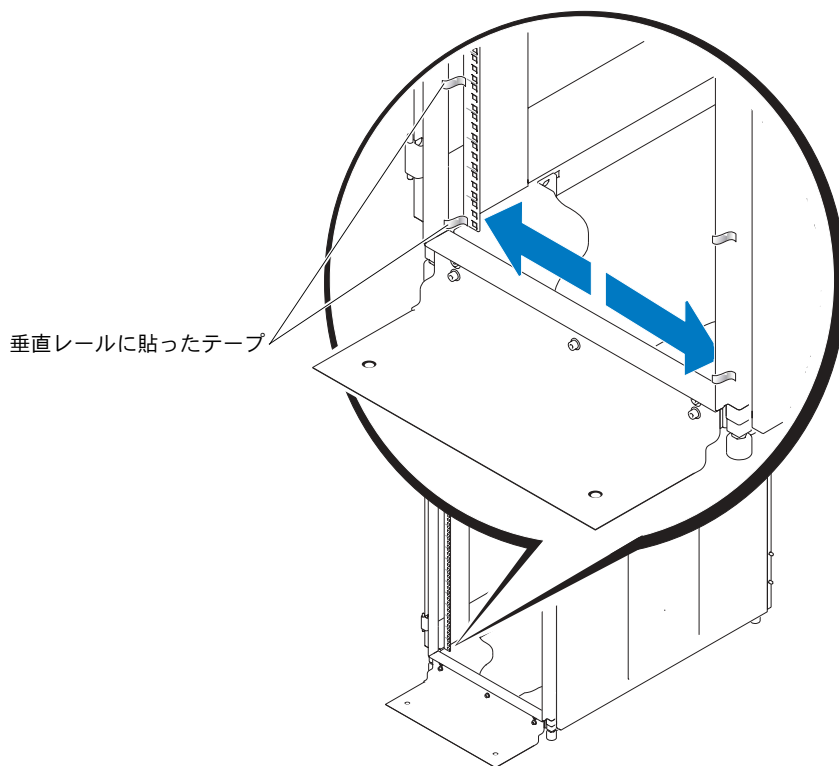
底部にあたる各 1 U スペースの位置は、穴と穴の間が狭い方の金属部分の中央です (横線で印が付いているラックキャビネットもあります。図 1-3 を参照)。

図 1-3 1 ラックユニット (1 U)



- ラックの前面垂直レールに、最初に印を付けた場所から約 31.1 cm 上 (EIA-310 規格に適合したラックであれば、21 個上の穴) にフェルトペンやマスキングテープで印を付けます (穴の数で測った場合は一番上の穴の真上に印を付けます)。垂直レール上のこのマークまたはテープが、システムの上端の位置を示します (図 1-4 参照)。

図 1-4 垂直レールの印付け



RapidRails アセンブリの取り付け

- ラックキャビネットの前面で、RapidRails アセンブリの取り付けブラケットのフランジが、ラックの適切な場所に収まるように、1 目目のスライドアセンブリの位置を合わせます (図 1-5 を参照)。
レールアセンブリの前部取り付けブラケットフランジの下部取り付けフックを、垂直レール上の底部の印から上方向に数えて 3 番目の穴に差し込みます。
- レールアセンブリを正面に向かって押して、垂直レールに付けた一番上の印またはテープのすぐ下の角型の穴に上部取り付けフックを差し込み、次に 2 つの取り付けフックが両方とも角型の穴に入り、押しボタンがカチッという音がして飛び出すまで、取り付けブラケットのフランジを下に押し込みます (図 1-5 参照)。

- 3 キャビネットの背面で、取り付けブラケットのフランジを後ろに引いて、取り付けフックを対応する穴に差し込み、フランジを下に押しつけて取り付けフックを角型の穴に固定します。完全に固定されるとプッシュボタンがカチッと飛び出します。
- 4 ラックの反対側のもう 1 つのレールアセンブリについて、手順 1 から 3 を繰り返します。


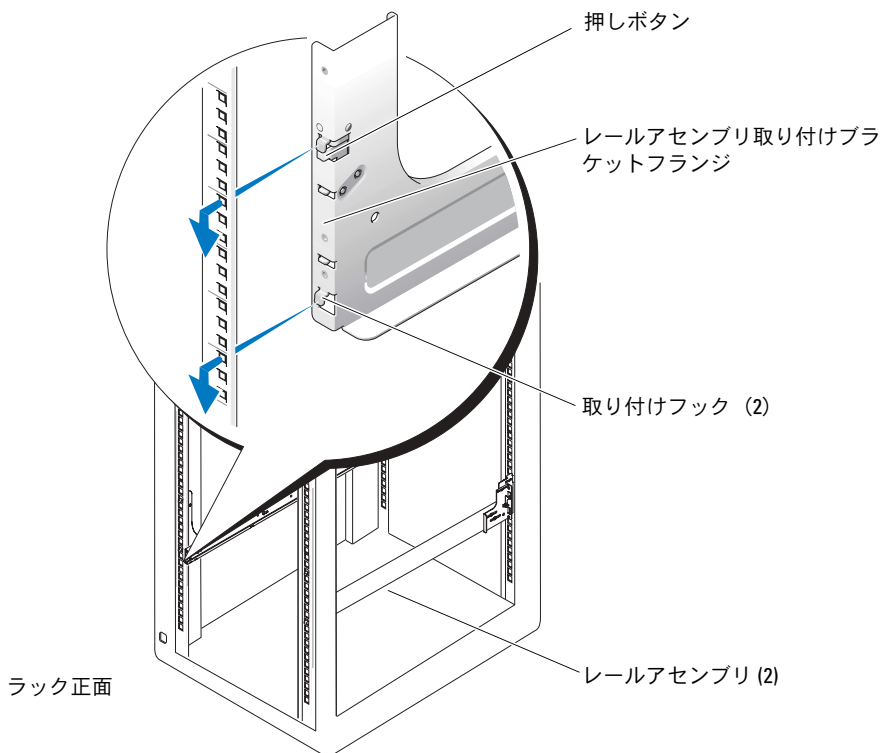
 **メモ：**左右の垂直レールで、取り付け用レールが同じ高さに取り付けられていることを確認します。

図 1-5 RapidRails アセンブリの取り付け



VersaRails アセンブリの取り付け

- 1 ラックキャビネットの前面で、VersaRails アセンブリの取り付けブラケットのフランジが、ラックに付けた上下の印またはテープ（または数えた穴の位置）の間に収まるように、スライドアセンブリの位置を合わせます（図 1-6 を参照）。
取り付けブラケットの前面の穴を、前部垂直レールに付けた印の間の穴に合わせます。
- 2 10-32 x 0.5 インチフランジヘッドプラスネジ 3 本を取り付けて、レールアセンブリを前面垂直レールに固定します（図 1-6 を参照）。
- 3 キャビネットの背面から、取り付けブラケットのフランジを後ろに引いて、取り付け穴を背面垂直レールのそれぞれ対応する穴に合わせます。

- 3本の10-32 x 0.5インチフランジヘッドプラスネジを後部取り付けフランジに取り付け、レールアセンブリを背面垂直レールに固定します。
- ラックの反対側のもう1つのレールアセンブリについて、手順1から4を繰り返します。


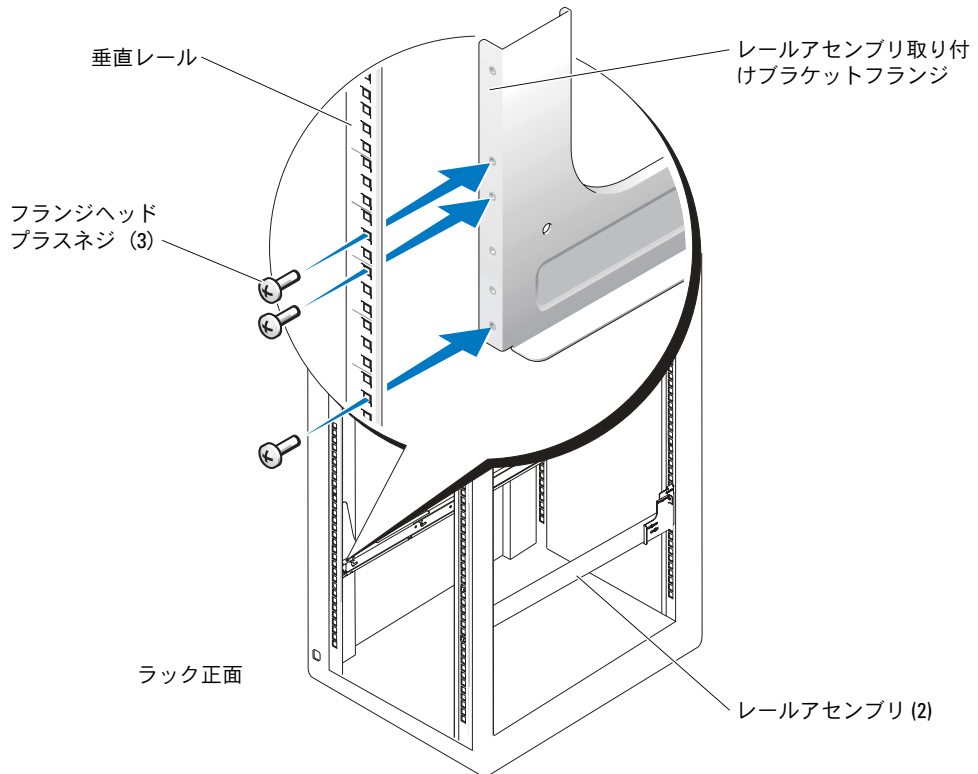




 **メモ：**左右の垂直レールで、取り付け用レールが同じ高さに取り付けられていることを確認します。

図 1-6 VersaRails レールアセンブリの取り付け



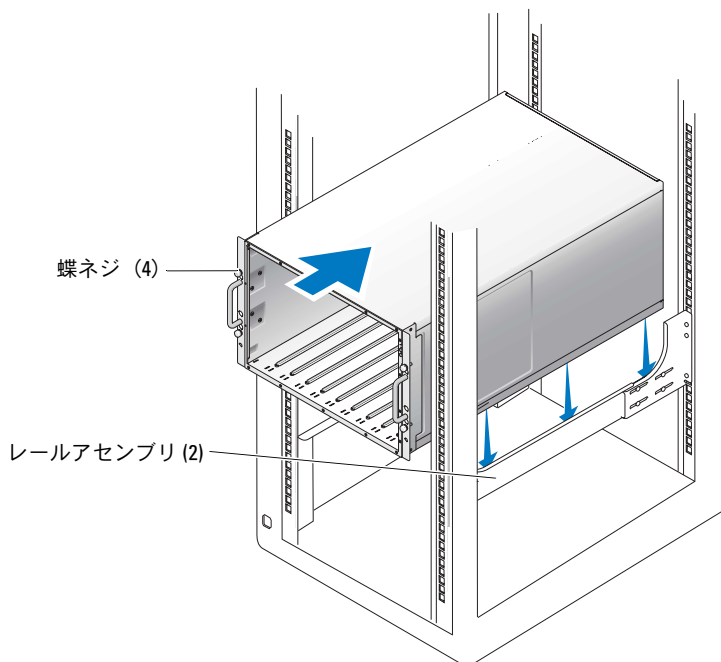
ラックへのシステムの取り付け

-  **警告：**複数のシステムを取り付ける場合は、1基目のシステムをラックの最下段の位置に取り付けてください。
-  **警告：**一度に複数の部品をラックから引き出さないでください。
-  **警告：**システムの大きさと重さを考慮して、システムのラックへの取り付けは1人では行わないでください。
-  **警告：**システムを持ち上げるときは、2人以上で作業することをお勧めします。

➡ **注意：**システムをラックに取り付ける際に、レールアセンブリが腰の位置よりも高い場合は特に、リフトテーブルを使用することをお勧めします。


- 1 システムをラックに取り付ける位置まで持ち上げます。
システムを持ち上げるときは、2人以上で作業することをお勧めします。
- 2 システムをラック内に移動し、レールアセンブリ上に下ろします（図 1-7 を参照）。
- 3 ラック正面パネルの蝶ネジを締めます。

図 1-7 ラックへのシステムの取り付け



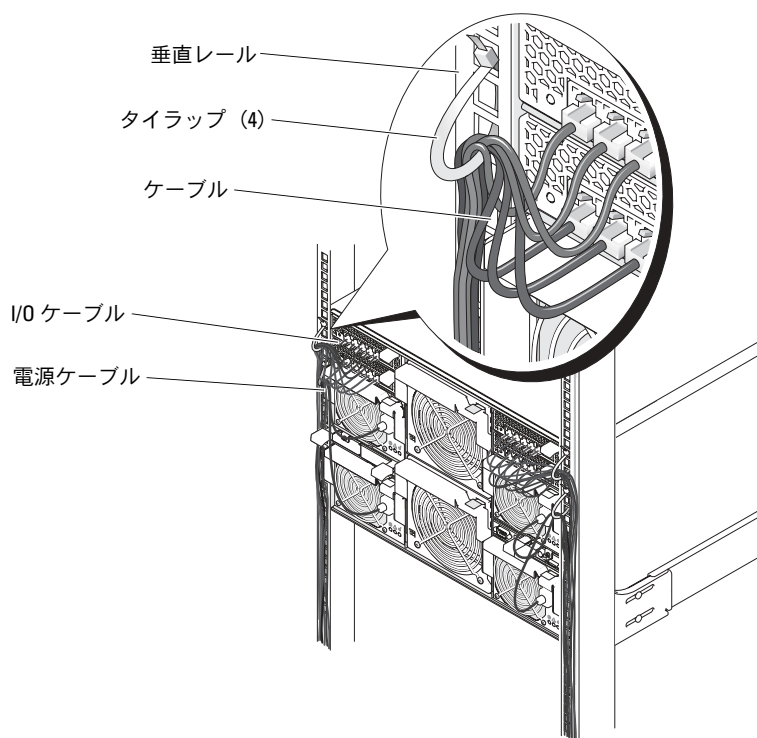
ケーブルの配線

- 1 I/O ケーブルコネクタと電源ケーブルを、システム背面パネルのそれぞれのコネクタに接続します。ケーブル接続の詳細については、お使いのシステムに付属の『はじめに』、『インストール&トラブルシューティング』、および『ユーザズガイド』を参照してください。

 **メモ：**ストレインリリーフが付属している場合は電源の背面に取り付けて、電源ケーブルでストレインリリーフを使用できるようにします。

- 2 次のガイドラインに従い、ラックキットに付属の 4 本の取り外し可能タイラップを使用して、ケーブルをラックの後部垂直レールに固定します（図 1-8 を参照）。
- 内部の作業をしやすくし、十分な通気を確保するために、システムの両側でケーブルの束を作り、システムのすぐ後ろの部分にできるだけケーブルがない状態にします。
 - I/O ケーブルの束と電源ケーブルの束を別にします。
 - ケーブルに十分な柔軟性がある場合には、ケーブル留めとシステムの間ケーブルのゆとりを 10 ～ 15 cm ほど残し、モジュールの作業がしやすいようにしておきます。

図 1-8 ラックへのケーブルの固定



ラック扉の取り付け

ラックキャビネットに付属のマニュアルに記載されている扉の取り付け手順を参照してください。

これでラックへのシステムの取り付けは完了です。

索引

R

RapidRails
キットの内容, 59

V

VersaRails
キットの内容, 60, 61

あ

安全にお使いいた
だくために, 57

き

キットの内容
RapidRails, 59
VersaRails, 61

け

ケーブルの配線, 66

こ

工具と備品
4柱型キット, 59

と

扉
取り付け, 67
取り外し, 61
取り付け
システムをラックへ, 65

ら

ラック
印付け, 61
ラック安定板, 59
ラック取り付け時
の注意事項, 58
ラックへの印付け, 61

Guía de instalación del rack

Notas, avisos y precauciones



NOTA: una NOTA proporciona información importante que le ayudará a utilizar mejor el ordenador.



AVISO: un AVISO indica la posibilidad de daños en el hardware o la pérdida de datos, e informa de cómo evitar el problema.



PRECAUCIÓN: un mensaje de PRECAUCIÓN indica el riesgo de daños materiales, lesiones corporales o incluso la muerte.

La información contenida en este documento puede modificarse sin previo aviso.

© 2005 Dell Inc. Reservados todos los derechos.

Queda estrictamente prohibida la reproducción de este documento en cualquier forma sin la autorización por escrito de Dell Inc.

Marcas comerciales utilizadas en este texto: *RapidRails* y *VersaRails* son marcas comerciales de Dell Inc.

Otras marcas y otros nombres comerciales pueden utilizarse en este documento para hacer referencia a las entidades que los poseen o a sus productos. Dell Inc. renuncia a cualquier interés sobre la propiedad de marcas y nombres comerciales que no sean los suyos.

Contenido

Instrucciones de seguridad	73
SEGURIDAD: Montaje de sistemas en rack	73
Instrucciones de instalación	74
Antes de comenzar	74
Tareas de instalación	75
Herramientas y material recomendados	75
Contenido del kit para rack RapidRails	76
Contenido del kit para rack VersaRails	76
Desmontaje de las puertas del rack	77
Marcado del rack	77
Montaje de los ensamblajes RapidRails	79
Instalación de los ensamblajes VersaRails	80
Instalación del sistema en el rack	81
Cableado	82
Colocación de las puertas del rack	83
Índice	85

Figuras

Figura 1-1.	Contenido del kit para rack RapidRails	76
Figura 1-2.	Contenido del kit para rack VersaRails	76
Figura 1-3.	Una unidad de rack	77
Figura 1-4.	Marcado de los rieles verticales	78
Figura 1-5.	Montaje de los ensamblajes RapidRails	79
Figura 1-6.	Montaje de los ensamblajes de rieles VersaRails	80
Figura 1-7.	Instalación del sistema en el rack	81
Figura 1-8.	Fijación de los cables al rack	82


Instrucciones de seguridad


Siga estas directrices de seguridad para garantizar su propia seguridad y proteger el sistema y el entorno de trabajo frente a posibles daños. Para obtener información completa acerca de la seguridad, consulte la *Guía de información del producto*.


SEGURIDAD: Montaje de sistemas en rack

Tenga en cuenta las precauciones siguientes para garantizar la estabilidad y la seguridad del rack.

Los sistemas son considerados como componentes de un rack. Por lo tanto, “componente” se refiere a cualquier sistema, así como a los distintos periféricos o al hardware de soporte.

 **PRECAUCIÓN:** antes de instalar sistemas en un rack, instale los estabilizadores frontales y laterales para racks individuales, o bien los estabilizadores frontales para varios racks unidos. El montaje de sistemas en un rack sin los estabilizadores correspondientes puede hacer que vuelque el rack, hecho que puede producir lesiones personales. Por lo tanto, instale siempre los estabilizadores antes de instalar los componentes en el rack.


 **PRECAUCIÓN:** después de instalar los sistemas o componentes en un rack, no extraiga más de un componente sobre sus ensamblajes deslizantes a la vez. El peso de más de un componente puede hacer que el rack vuelque y provoque lesiones personales.

 **NOTA:** el sistema está homologado en cuanto a seguridad como unidad autónoma y como componente para su uso en un armario rack, utilizando el kit para rack de clientes en los casos en los que el armario rack y el kit para rack estén diseñados para su sistema. La instalación del sistema y del kit para rack de Dell en otros armarios rack no ha sido aprobada por ninguna agencia de seguridad. Es responsabilidad del cliente la evaluación, por parte de una agencia de seguridad certificada, de la combinación final de sistema y kit para rack montados en un armario. El fabricante declina toda responsabilidad y garantía relacionadas con tales combinaciones.


- Los kits para rack están concebidos para ser montados en un rack aprobado por técnicos de servicio cualificados. Si monta el kit en cualquier otro rack, éste debe cumplir las especificaciones.
- Antes de realizar alguna operación en el rack, asegúrese que los estabilizadores estén fijados al rack, que lleguen hasta el suelo y que todo el peso del rack descance sobre el suelo. Instale los estabilizadores frontales y laterales para un único rack, o bien los estabilizadores frontales para varios racks unidos.
- Cargue siempre el rack desde la parte inferior hacia arriba, colocando en primer lugar el elemento más pesado.
- El rack debe estar nivelado y estabilizado antes de extraer un componente.
- No sobrecargue la fuente de alimentación de CA del rack. La carga total del rack no debe ser superior al 80 % de la corriente nominal del circuito.
- Los componentes del rack deben disponer de una ventilación suficiente.
- Cuando repare sistemas o componentes del rack, no se suba ni se apoye sobre ningún sistema o componente.

Instrucciones de instalación

En esta guía de instalación se proporcionan instrucciones para técnicos de servicio cualificados que instalen uno o más sistemas en un rack abierto o en un armario rack. El kit de rack RapidRails™ se puede instalar sin herramientas en todos los armarios rack del fabricante que tengan orificios cuadrados, y el kit de rack VersaRails™ se puede instalar en la mayoría de los armarios rack estándar que tengan orificios cuadrados o redondos. Los procedimientos para instalar los kits de rack RapidRails y VersaRails son similares. Para cada sistema montado en el rack se precisa un kit para rack.


 **PRECAUCIÓN:** no instale componentes de kit para rack que estén diseñados para otro sistema. Utilice únicamente el kit para rack correspondiente a su sistema. Si utiliza un kit de rack para otro sistema, pueden causarse daños en el sistema y lesiones personales.


El kit para rack VersaRails se puede montar en la mayor parte de los armarios rack estándar.

 **AVISO:** el kit para rack VersaRails lo deben montar únicamente técnicos de servicio cualificados en un rack que cumpla las especificaciones siguientes: American National Standards Institute (ANSI)/Electronic Industries Association (EIA) ANSI/EIA-310-D-92, International Electrotechnical Commission (IEC) 297 y Deutsche Industrie Norm (DIN) 41494. Se precisa un kit de rack para cada sistema que se instale en el rack.

Antes de comenzar


Antes de montar el sistema en el rack, lea detenidamente la sección “Instrucciones de seguridad” de esta guía, así como las instrucciones de seguridad que se incluyen en la *Guía de información del producto* para obtener información adicional.

 **PRECAUCIÓN:** cuando instale varios sistemas en un rack, realice todos los procedimientos para el sistema actual antes de instalar el siguiente sistema.


 **PRECAUCIÓN:** los armarios rack pueden ser muy pesados y moverse fácilmente con las ruedas. El armario no tiene frenos. Preste extremo cuidado al mover el armario rack. Si traslada el armario rack, pliegue primero los pies niveladores. Evite rampas o inclinaciones largas o pronunciadas para evitar perder el control del armario. Extienda los pies niveladores de apoyo para evitar que el armario se desplace.


Información de seguridad importante

Cuando instale el sistema en el rack, tome las precauciones de seguridad que se indican en las subsecciones siguientes.

 **PRECAUCIÓN:** debe seguir estrictamente los procedimientos que se explican en este documento para protegerse a sí mismo y a otras personas que puedan verse involucradas. El sistema puede tener una envergadura y un peso considerables, por lo que son importantes una preparación y planificación adecuadas para evitar lesiones personales a uno mismo y a otros. Esto es más importante aún cuando se instalan sistemas en la parte alta del rack.

Pies estabilizadores del rack

 **PRECAUCIÓN:** antes de instalar sistemas en un rack, instale los estabilizadores frontales y laterales para racks individuales, o bien los estabilizadores frontales para varios racks unidos. El montaje de sistemas en un rack sin los estabilizadores correspondientes puede hacer que vuelque el rack, hecho que puede producir lesiones personales. Por lo tanto, instale siempre los estabilizadores antes de instalar los componentes en el rack.

 **PRECAUCIÓN:** tras instalar sistemas en un rack, nunca extraiga a la vez más de un sistema del rack sobre sus ensamblajes deslizantes. El peso de más de un sistema extendido puede hacer que vuelque el rack y causar algún daño.

Los pies estabilizadores evitan que vuelque el rack cuando se extrae más de un sistema u otro componente con los ensamblajes deslizantes totalmente extendidos. Consulte la documentación que se facilita con el armario rack para obtener instrucciones sobre la instalación y la fijación de los pies estabilizadores.

Tareas de instalación

La instalación de un kit para rack implica realizar las tareas siguientes en el orden indicado:

- 1 Extracción de las puertas del rack
- 2 Marcado del rack (si fuera necesario)
- 3 Montaje de los ensamblajes de rieles en el rack:
 - Instalación de RapidRails
 - Instalación de VersaRails
- 4 Instalación del sistema en el rack
- 5 Cableado
- 6 Colocación de las puertas del rack

Herramientas y material recomendados

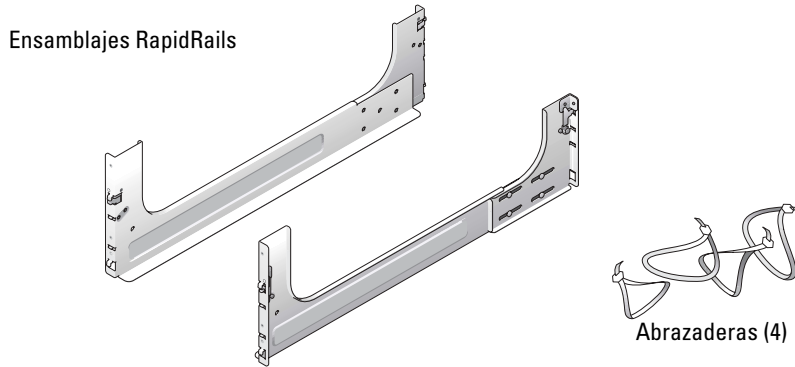
- Destornillador Phillips del nº 2
- Cinta adhesiva o rotulador de punta de fieltro para marcar los orificios de montaje que se utilizarán
- Regla o cinta de medición

Contenido del kit para rack RapidRails

El kit para rack RapidRails incluye los elementos siguientes (consulte la figura 5-1):

- Un par de ensamblajes RapidRails
- Cuatro abrazaderas reutilizables

Figura 1-1. Contenido del kit para rack RapidRails



Contenido del kit para rack VersaRails

El kit para rack VersaRails incluye los elementos siguientes (consulte la figura 5-2):

- Un par de ensamblajes VersaRails
- Cuatro abrazaderas reutilizables
- Doce tornillos Phillips con arandela 10-32 x 0,5 pulgadas


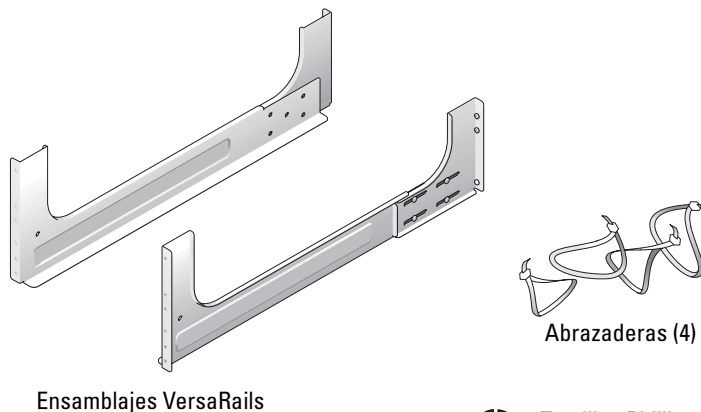

 **NOTA:** en este documento los tornillos no métricos se identifican por el tamaño y el número de roscas por pulgada. Por ejemplo, un tornillo Phillips del nº 10 con 32 roscas por pulgada se identifica como un tornillo 10-32.

Figura 1-2. Contenido del kit para rack VersaRails



 Tornillos Phillips con arandela 10-32 x 0,5 pulgadas (12)

Desmontaje de las puertas del rack

Para extraer las puertas, consulte los procedimientos correspondientes en la documentación suministrada con el armario rack.

⚠ PRECAUCIÓN: debido al tamaño y al peso de las puertas del armario rack, nunca debe intentar montarlas ni desmontarlas sin ayuda.

⚠ PRECAUCIÓN: guarde las dos puertas en un lugar donde, en caso de caer accidentalmente, no puedan lesionar a nadie.

Marcado del rack

Debe dejar 7 U (31,1 cm) de espacio vertical para cada sistema que monte en el rack (consulte la figura 5-3).

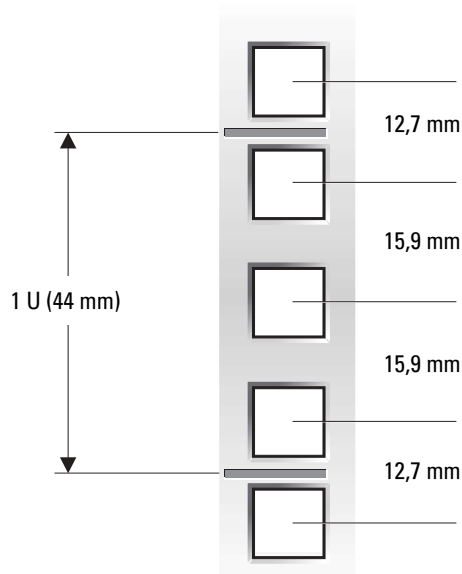
🔪 NOTA: en caso de que el rack ya esté marcado, no es necesario realizar este procedimiento.

⚠ PRECAUCIÓN: si va a instalar más de un sistema, instale los ensamblajes de rieles de modo que el primer sistema quede instalado en la posición más baja disponible en el rack.

- 1 En los rieles verticales frontales del rack, marque el punto donde desea colocar la parte inferior del sistema que está instalando en el armario rack.

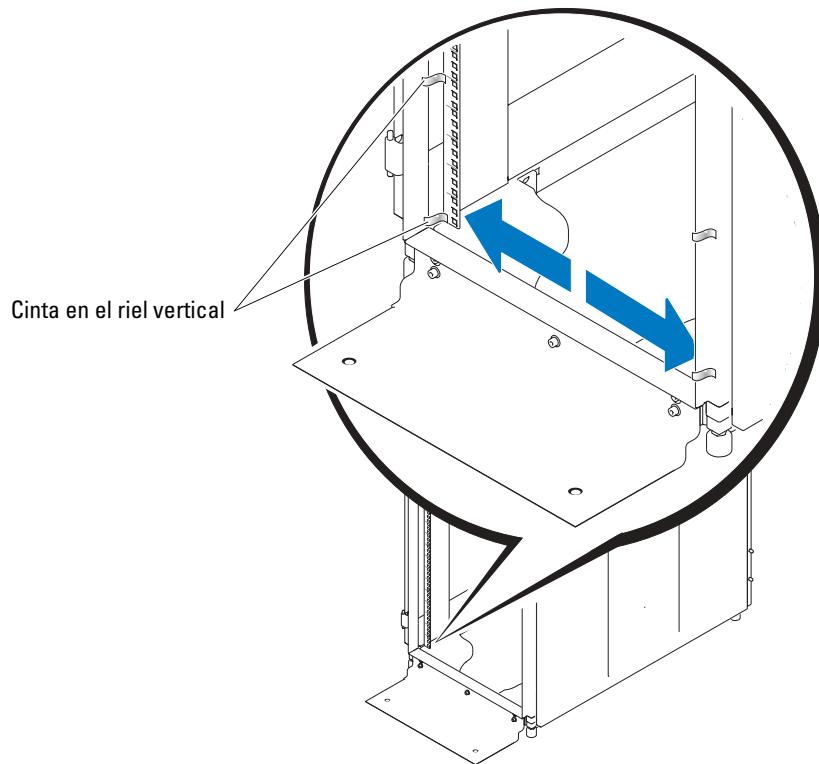
La parte inferior de cada espacio 1-U se encuentra en el centro de la zona metálica más estrecha entre orificios (marcados con una línea horizontal en algunos armarios rack; consulte la figura 5-3).

Figura 1-3. Una unidad de rack



- 2 Coloque una marca en los rieles verticales frontales del rack con un rotulador de punta de fieltro o cinta adhesiva aproximadamente 31,1 cm por encima de la marca original (o cuente 21 orificios en un rack que cumpla los estándares EIA-310). Si ha contado orificios, realice una marca justo por encima del orificio superior. Esta marca o trozo de cinta indica dónde se va a situar el borde superior del sistema en los rieles verticales (consulte la figura 5-4).

Figura 1-4. Marcado de los rieles verticales



Montaje de los ensamblajes RapidRails

- 1 En la parte frontal del armario rack, coloque uno de los ensamblajes RapidRails de modo que la superficie de montaje del soporte encaje en el sitio adecuado del rack (consulte la figura 5-5).
El gancho de montaje inferior en la superficie de montaje del soporte delantero del ensamblaje de rieles debe entrar en el tercer orificio desde la marca inferior realizada en los rieles verticales.
- 2 Empuje el ensamblaje de rieles hacia delante hasta que el gancho de montaje superior entre en el orificio cuadrado situado justo debajo de las marcas superiores o la cinta colocados en el riel vertical. A continuación, presione hacia abajo la superficie de montaje del soporte hasta que los ganchos de montaje encajen en los orificios cuadrados y el pulsador salga y se oiga un clic (consulte la figura 5-5).
- 3 En la parte posterior del armario, tire hacia atrás de la superficie de montaje del soporte hasta que los ganchos de montaje encajen en los orificios cuadrados correspondientes y, a continuación, empuje hacia abajo la superficie hasta que los ganchos de montaje queden encajados y se expulse el pulsador (se oirá un clic).
- 4 Repita los pasos del 1 al 3 para el ensamblaje de rieles del otro lateral del rack.


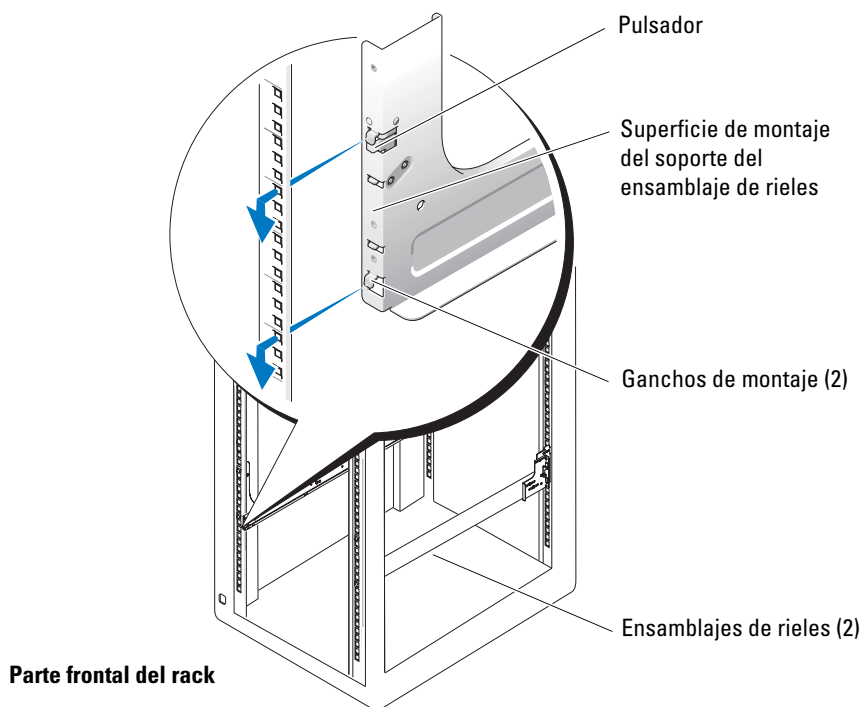
 **NOTA:** asegúrese de que los rieles estén montados en la misma posición vertical en ambos lados del rack.

Figura 1-5. Montaje de los ensamblajes RapidRails



Instalación de los ensamblajes VersaRails

- 1 En la parte frontal del armario rack, coloque un ensamblaje VersaRails de forma que la superficie de montaje del soporte encaje entre las marcas o la cinta colocada (o la ubicación numerada) en el rack (consulte la figura 5-6).
Los orificios de la parte frontal de la superficie de montaje deben estar alineados con los orificios situados entre las marcas realizadas en el riel vertical frontal.
- 2 Monte tres tornillos Phillips con arandela 10-32 x 0,5 pulgadas para fijar el ensamblaje de rieles al riel vertical frontal (consulte la figura 5-6).
- 3 En la parte posterior del armario, tire hacia atrás de la superficie de montaje hasta que los orificios de montaje queden alineados con los orificios correspondientes del riel vertical posterior.
- 4 Monte tres tornillos Phillips con arandela 10-32 x 0,5 pulgadas en el soporte de montaje posterior para fijar el ensamblaje de rieles al riel vertical posterior.
- 5 Repita los pasos del 1 al 4 para el ensamblaje de rieles del otro lateral del rack.


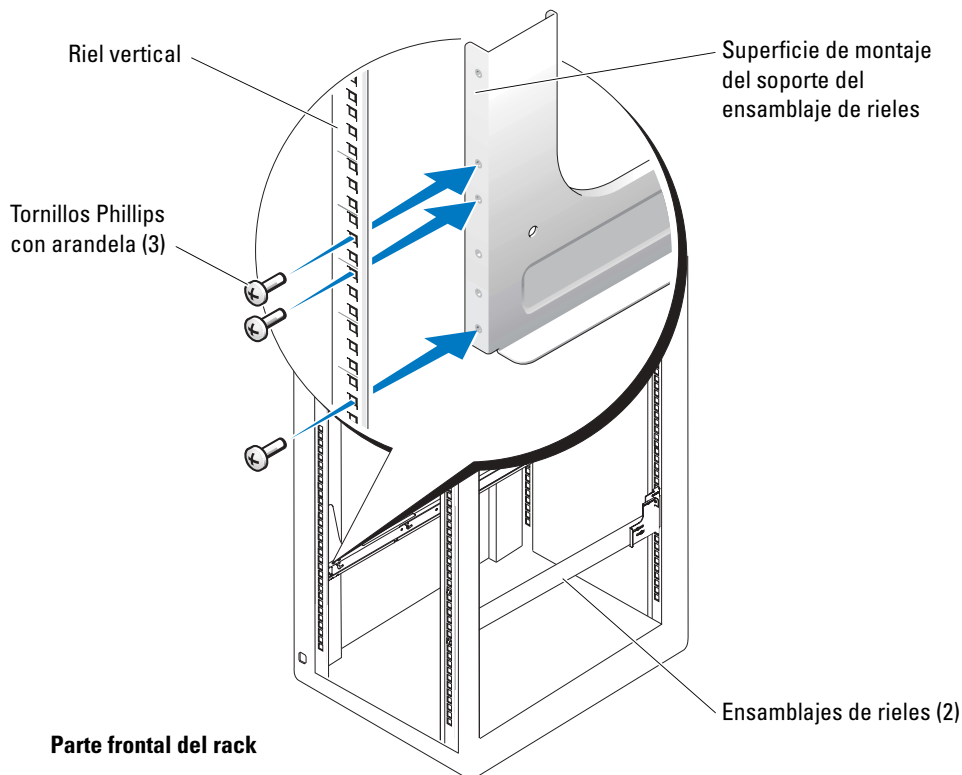
 **NOTA:** asegúrese de que los rieles estén montados en la misma posición vertical en ambos lados del rack.

Figura 1-6. Montaje de los ensamblajes de rieles VersaRails



Instalación del sistema en el rack






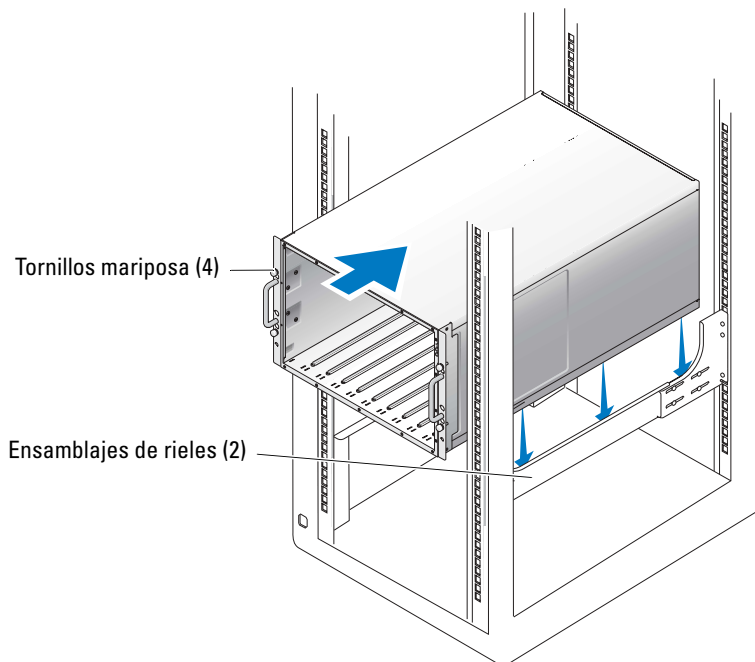
-  **PRECAUCIÓN:** si va a instalar más de un sistema, instale el primero en la posición más baja que haya disponible en el rack.
 -  **PRECAUCIÓN:** no extraiga nunca más de un componente del rack a la vez.
 -  **PRECAUCIÓN:** debido al tamaño y el peso del sistema, no intente nunca montar el sistema en el rack sin ayuda.
 -  **PRECAUCIÓN:** Se recomienda levantar el sistema con al menos la ayuda de otra persona.
 -  **AVISO:** se recomienda utilizar una mesa elevadora para instalar el sistema en el rack, especialmente si los ensamblajes de rieles están a una altura superior a la de la cintura.
- 1 Eleve el sistema hasta la altura necesaria para instalarlo en el rack.
Se recomienda levantar el sistema con al menos la ayuda de otra persona.
 - 2 Inserte el sistema en el rack y apóyelo en los ensamblajes de rieles (consulte la figura 5-7).
 - 3 Apriete los tornillos mariposa del panel frontal del rack.

Figura 1-7. Instalación del sistema en el rack



Cableado


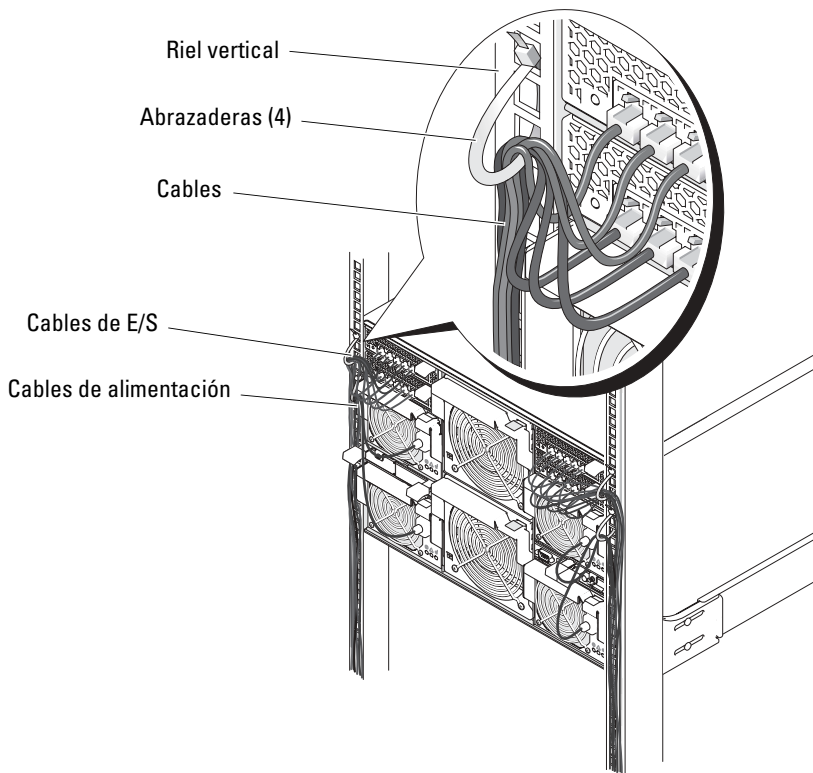
- 1 Conecte los conectores de cable de E/S y los cables de alimentación a sus respectivos conectores situados en el panel posterior del sistema. Para obtener más información sobre las conexiones de cables, consulte la *Guía de introducción*, la *Guía de instalación y solución de problemas* y la *Guía del usuario*.
 -  **NOTA:** coloque los lazos liberadores de tensión (si están disponibles) en la parte posterior de las fuentes de alimentación para liberar la tensión de los cables de alimentación.
- 2 Siga las pautas siguientes para fijar los cables a los rieles verticales posteriores del rack con las cuatro abrazaderas desmontables suministradas con el kit para rack (consulte la figura 5-8).
 - Para mejorar la facilidad de reparación y el flujo del aire, agrupe los cables en dos grupos, uno a cada lado del sistema, a fin de mantener el área posterior del sistema lo más despejada posible.
 - Cree grupos separados para los cables de E/S y para los cables de alimentación.
 - Si los cables son suficientemente flexibles, deje una holgura de 10 a 15 cm entre la abrazadera de cable y el sistema para mejorar la facilidad de reparación de los módulos.

Figura 1-8. Fijación de los cables al rack



Colocación de las puertas del rack

Consulte la documentación suministrada con el armario rack para ver los procedimientos para volver a colocar las puertas.

El montaje en rack del sistema ha finalizado.

Índice

C

cablear, 82

contenido del kit

RapidRails, 76

VersaRails, 76

contenido del kit

RapidRails, 76

H

herramientas y material

kits de cuatro postes, 75

I

instalar

sistema en rack, 81

instrucciones de

seguridad, 73

M

marcar el rack, 77

P

pies estabilizadores

del rack, 75

precauciones para

el montaje del rack, 74

puertas

colocar, 83

desmontar, 77

R

rack

marcar, 77

T

tendido de cables, 82

V

VersaRails

contenido del kit, 76

